



RECOMMENDATION LIST  
MOTORCYCLE 2017  
ÖHLINS DTC



ÖHLINS  
GAS SHOCKS  
1976 SWEDEN



## **CHOOSING AN ÖHLINS SHOCK IS SIMPLE... SINCE WE HAVE MADE THE CHOICE FOR YOU!**

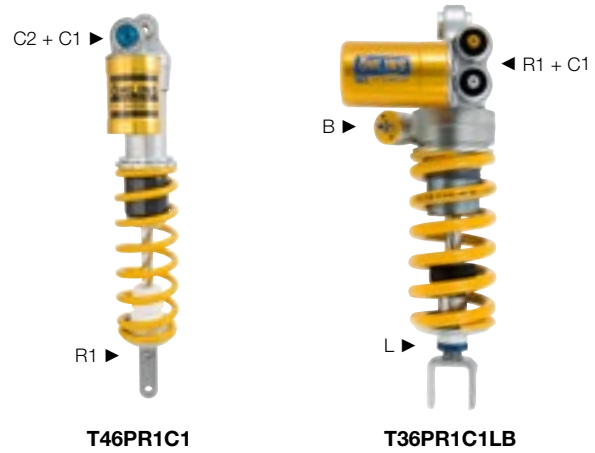
Based on the bike's performance, its price and available mounting space we have designed a shock that suits it, both when it comes to price and performance.

We start by choosing a shock absorber type which we tailor make for your specific bike. The basic setup, the design of the shim stacks and the calibration of the adjusters, is tested both on road and track. They are

the results of true tests with the bike and no guesswork!

Öhlins manufactures more than 300 different shock absorber models, each model is tailor made for one specific bike. The concept of all Öhlins products is not a secret, it is precision, quality and performance. Precision provides superior control of the damping force and the key to our success.

Start with finding out which shock absorber fits your bike. Then, identify which type of shock absorber it is and which adjustment features it has according to the table below.



## SHOCK ABSORBER TYPE

## ADJUSTMENT FEATURES

	<b>S, T</b> Single or twin tube design.
	<b>30, 36, 39, 40, 44, 46 and 50mm</b> Piston diameter
	<b>E</b> Emulsion type of shock absorber.
	<b>D</b> Monotube high pressure gas type of shock absorber with internal reservoir in the main body.
	<b>P</b> Monotube high pressure gas type of shock absorber with external "piggy back" reservoir.
	<b>H</b> Monotube high pressure gas type of shock absorber with hose mounted external reservoir.
	<b>Q1</b> Progressive damping shock absorber with two pistons.
	<b>W</b> Shock absorber delivered without spring.

	<b>C1</b> Adjustable compression damping. Adjuster wheel or slot on the reservoir.
	<b>C2</b> Adjustable high- and low- speed compression damping. Hexagon or slot on the reservoir.
	<b>C4</b> Electronically Controlled (EC) compression damping adjuster.
	<b>R1</b> Adjustable rebound damping. Adjuster wheel or slot above the end eye.
	<b>R1</b> Adjustable rebound damping. Adjuster wheel or slot on the reservoir.
	<b>R4</b> Electronically Controlled (EC) rebound damping adjuster.
	<b>S</b> Hose mounted hydraulic spring preload adjuster.
	<b>S1</b> Electronically Controlled (EC) hydraulic spring preload adjuster.
	<b>B</b> Integrated hydraulic spring preload adjuster. Adjuster wheel or hexagon on the adjuster.
	<b>L</b> Adjustable length.
	Mechanical spring preload adjuster.





## MOTORCYCLE STREET

### TYPE STX 36



S36E



S36D



S36DR1L



S36DW



S36K

### TYPE STX 36 P



S36P



S36PL



S36PR1



S36PR1C1L



S36PR1C1LB



S36HR1C1L

### TYPE TTX 39



T39PR4C4S1



T39PR1C1S

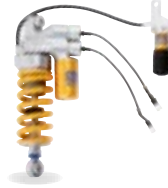
### TYPE TTX 36



T36PR1C1LS



T36PR1C1LB



T36PR4C4LS



T36PR1C1L

### TYPE STX 46



S46ER1 / DR1



S46ER1S / DR1S



S46DR1LS



S46DR1L /  
DR1LS CUSTOM

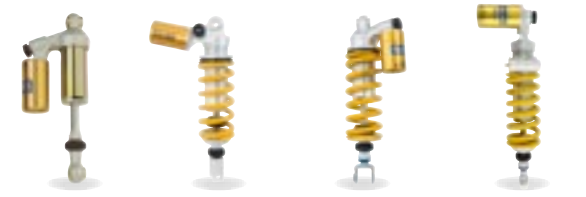
Note! Your shock absorber may look different from the one on the image above. The reservoir may be angled to fit your bike and a horizontal reservoir is used on some models.

**TYPE STX 46 H**



S46HR1C1 S46HR1C1S S46HR1C1L S46HR1C1LS S46HR1C1B

**TYPE STX 46 P**



S46PR1C1W S46PR1C1 / S46PR1C1Q1 S46PR1C1L S46PR1C1LB

**TYPE STX 46 P**



S46PR1C1S S46PR1C1S S46PR1C1LS S46PR1C2 S46PR1C2L S46PR1C2B S46PR1C2S S46PR1C2LB S46PR1C2LS



# MX & ENDURO

**TYPE STX 36**



S36D S36P

**TYPE TTX 30 P**



T30P

**TYPE STX 46 P**



S46PR1C1 S46PR1C2 S46PR1C2Q1

**TYPE TTX 46**



T46PR1C1

Note! Your shock absorber may look different from the one on the image above. The reservoir may be angled to fit your bike and a horizontal reservoir is used on some models.

## TTX GP

This is the latest Öhlins shock absorber for sport and hypersport bikes. The already famous and high performing TTX shock goes to a new level with the latest valving technology from MotoGP. The TTX GP shock is now available for most bike models used in national racing as well as the latest street bikes.

- TTX technology, twin tube technology
- No risk of cavitation
- Solid piston
- Rebound and compression adjustment straight from MotoGP
- Adjustment needles with different flow restriction behavior to improve chassis feedback
- Wider and more precise adjustment range
- Adjustment possible by hand or with hexagon tool
- Completely separated functions for rebound and compression damping
- Easy to change settings, based on Öhlins setting bank



## TTX RT

The TTX Road & Track is developed for the latest hypersport models as a complement to the top of the line TTX GP shock. The TTX RT has a competitive price but still offers great performance for the road and track day enthusiast. The shock is based on the TTX36 with its race proven technology.

- TTX technology
- Wide adjuster range
- Completely separated functions for rebound and compression damping
- All adjustments are done on the cylinder head of the shock absorber
- Length adjustable for most models



## STX

We have them available in the cleanest design as well as fully adjustable with a lot of clickers and adjusters. It does not matter if you ride a street bike, Harley Touring bike, adventure bike or a scooter - We have a STX shock available.

- Öhlins design
- Always individually tested on every bike application
- Full maintenance capability
- Setting library available through every Öhlins service center
- A wide range of spring rates available



## BLACKLINE

Öhlins shock absorbers for Harley-Davidson and Custom bikes are now available in two different designs inline and piggyback, both with the same superior Öhlins comfort and performance underneath.

- Well proven monotube design
- Designed for comfort and rideability
- Each application tested and tailor made to suit
- Wide range of spring rates are available



## TTX FLOW

The brand new TTX Flow allows you to ride fast and safely with improved traction, stability and grip. Developed for racers, this shock is also recommended for those who want to ride on the golden Öhlins suspension and really feel the difference. The TTX Flow calms down the chassis and that keeps you focused to set fast lap times and win races.

- TTX Technology
- 46 mm piston
- 16 mm piston rod
- A new 58 mm gas reservoir on majority of applications
- Patent pending pressure technology
- Improved bottoming resistance through new design of bump rubber cup
- Compression and rebound adjustments with indicator
- Easy and cost effective to service
- Easy spring change due to new spring clip design
- Easy spring preload adjustment
- Wide range of springs



## STX 46

An updated 46 mm shock absorber from Öhlins, perfectly suited for 85cc bikes and OE applications. The 2-way compression adjuster is new and similar to the Öhlins TTX shocks for the larger bikes.

- Two way compression adjuster
- Wide range of low speed compression adjustment, 3 click high speed
- Improved dynamics, equals better function
- Upgraded PDS function





## FGR 300

The improved FGR 300 is the very essence of front fork technology. Fully packed with technical solutions and experiences from MotoGP and World Superbike, improvements include a more robust design and increased adjustment possibilities.

- Pressurised TTX25 Cartridge technology
- New stronger outer tube top
- Shorter reservoir tubes
- Improved adjustment features
- Fully engaged top out spring as an option
- Different settings available from Öhlins setting bank
- Wide range of springs



## FGRT 200

The Road & Track front fork with loads of performance and fantastic comfort. A winner on race tracks as well as a fantastic upgrade to improve the ride on your favourite roads. Features the Öhlins 30mm cartridge kit inside, compression and rebound adjustments easily done with compression adjustment in one leg and rebound adjustment in the other leg.

- Öhlins NIX 30 Cartridge Kit inside
- 43mm inner tubes
- Compression damping in one leg, rebound in the other
- Weight and stress optimized fork bottom design
- All adjustments at the top of the fork
- Reduced weight
- Proven in various racing applications
- Available for all major Hypersport models
- Different settings available from Öhlins setting bank
- Wide range of springs



## FGRT 300

Performance in spades from the latest Öhlins NIX 30 technology matches the aggressive and beefy looks. Based on the Road & Track front fork, compression and rebound is easily adjustable with rebound in one leg and compression in the other. Spring preload adjustment is done from the top cap. This front fork delivers performance that improves the handling of any bike with improvements in tire feel, brake support and general handling.

- Öhlins NIX 30 cartridge kit inside
- 48mm inner tubes
- Compression and rebound adjustable, with rebound in one leg and compression in the other
- Spring compression adjustments in the top cap
- Weight and stress optimized fork bottom design





## RETRO 43

Öhlins offer a 43 mm conventional universal fork to any custom bike builder that wants to give the bike supreme suspension performance. With the Retro 43 you also get the familiar Öhlins design in Black or the well-known Öhlins Gold version.

- 43 mm fork • NIX-technology • Stroke 130 mm, length 800 mm • Triple clamp diam. 43 mm • Wheel axle 32 mm • Spring rate 9,5 N/mm. Range of optional spring rates available • Fully adjustable • Setting can be changed via Öhlins Service Centres



## UNIVERSAL USD 43

For naked bikes, Öhlins offer a range of front fork options. For custom builds, the fully adjustable fork feature the signature Öhlins separate compression and rebound damping as well as adjustable spring preload, easily tuned for your specific requirements. This fork offer complete control and race proven performance for your bike.

- 43 mm fork • TiN coated inertubes • Stroke 120 mm • Length 800 mm • Top clamp diam. 50 mm • Lower clamp diam. 54 mm • Wheel axle 32 mm • Spring rate 8,5 N/mm • Fully adjustable • Setting can be changed with help from Öhlins Service Centers • Wide range of springs



## RXF 48

The very latest Öhlins Front Fork loaded with the TTX22 kit inside. The front fork has been chosen so it is hard enough to resist stones but is still solid enough to prevent corrosion.

- Unique cartridge kit with TTX design • New springs fitted
- External compression adjuster • 48 mm DLC coated inertubes • Available for all major MX and Enduro models



## NIX 22

The Öhlins NIX22-Series cartridge kit extends Öhlins advanced suspension technology to the popular light weight sportbikes, popular street bikes and for a selection of Harley-Davidson bikes.

- Öhlins NIX Technology
- External Compression & rebound adjustment
- External preload adjustment
- 22 mm piston diameter
- Range of springs available
- Öhlins Setting Bank



## NIX 30

The Öhlins Road&Track 30mm front fork cartridge kit was developed in racing series such as World Supersport and Superstock championships. Whether heading for a National Roadracing title or just taking your bike to the local race track, the cartridge kit offers loads of performance, stability and superior suppleness.

- External rebound, compression and spring preload adjusters
- Easy to change settings for individual preferences, based on our Setting Bank
- Wide range of spring rates available in the 08790-series
- Easy to install and service
- Available for all Hypersport models



## FKC 100

Front end upgrade for the FLH and FLT Touring Baggers. This NIX-kit has rebound damping in one leg and compression damping in the other. This kit has been designed with a focus on vehicle control and a smooth ride.

- 25 mm pistons
- Öhlins NIX technology
- Aluminum damping tubes
- Optional spring rates
- Improved feel, control and comfort
- Easy to install



## FSK 100

This fork spring kit is an upgrade for small sports and street bikes with conventional forks. The kit is designed to improve the handling, cornering and braking and give the rider a noticeable improved feeling in all areas. The replacement top cap also provides an external spring preload.

- Full maintenance capability
- Replacement top caps
- Performance rate springs
- Fits a range of sport and street bikes



## FDK 100

Öhlins cartridge kit for MSX 125/Grom is a great performance upgrade for the standard bikes front end. Improved handling, cornering and braking are immediately noticed.

- Proven Öhlins damping technology
- Specifically developed for Honda MSX
- Springs included
- Compression insert
- Rebound insert
- Replacement Öhlins top caps
- Higher performance rate springs



## FKR 100

The new racing inspired FKR cartridge kit has technology derived straight from the Moto3, Moto 2 and World Superbike championships developed by our engineers at Öhlins HQ in Sweden. The new FKR is the cartridge kit to have for riders who demands the best performance from their bike. Designed for high-end top level racing in SuperStock and SuperSport classes, the new FKR cartridge kit will give you loads of performance. It comes as ready applications for the large displacement hyper sport bikes, such as the Yamaha R1/R6, BMW S1000RR / HP4, Honda CBR1000SP and Kawasaki ZX-10R.

- TTX Technology
- Fits most large displacement bikes
- Easier maintenance
- Spring pressurized system
- 8mm piston shaft
- Technology from Moto 3 Moto 2 and World Superbike
- Compact design
- Complete setting library





## FKA 100

Upgrade your front end with race proven technology. Öhlins now offers a front fork cartridge kit for medium sized adventure bikes. Based on the successful road racing front fork technology, the FKA 100-series fully adjustable cartridge kit offers improved comfort and performance.

- Öhlins NIX Technology
- Fully adjustable from the top cap
- Rebound in one leg, compression in the other leg
- New hydraulic stop to prevent hard bottoming
- Easy to install and service
- Different spring rates available



## TTX 22

It's the inside that really counts! If you want to keep your front fork legs but still upgrade to Öhlins TTX, just pull out the standard inserts and pop in this powerful TTX 22 cartridge kit from Öhlins R&D. The TTX technology brings a positive pressure balance in the system, thanks to the twin tube technology.

- Unique cartridge kit with TTX design
- Gas pressurized damping system
- Easy installation in OE front forks
- External compression and rebound adjusters
- Springs ordered separately



## STX 22

This 85cc cartridge kit is built on the TTX 22 technology for the larger bikes. The kit is designed to rise very low above the fork leg ends allowing the fork to be mounted far up in the triple clamps. The damping characteristic has been designed to be reliable and constant in every stroke and during the race so the behavior is predictable and consistent.

- Efficient hydraulic stop for improved bottoming resistance
- Adjustable compression and rebound
- Spring pressurized system to compensate for heat changes and provide reliable damping behavior
- Available for all major models



## STEERING DAMPER

An essential ingredient in a complete performance package, the Öhlins telescoping steering dampers are still the ones to beat. Thanks to the superior pressurized design and extremely tight manufacturing tolerances, the damper delivers supreme performance and agility, and with the wide adjustment range it is easy to find that perfectly weighted steering feel and feedback.

- Unique design
- Fluid under pressure to avoid free play
- Adjustable in 16 clicks
- Six lengths/strokes
- Can be mounted outside the fork leg or across the frame behind the triple clamp
- Kits complete with mounting brackets available for certain bike models
- Universal parts for race bikes available



## YAMAHA R1M EC STEERING DAMPER

The Öhlins Smart EC aftermarket steering damper for the Yamaha YZF-R1M, suitable for use on the road and racetrack.

The Smart EC damper plugs into the bike's existing Suspension Control Unit (SCU) to make ultra-fast changes in damping, based on parameters that include speed and acceleration. The well-proven qualities of the Öhlins steering damper are complemented by the bespoke Smart EC algorithms, which alter damping settings in real time, to suit the current riding conditions.



## SUSPENSION CONTROL UNIT - SCU

No semi active suspension is better than its algorithms that control the adjusters. The Öhlins SCU reads different bike parameters, such as throttle control, speed, braking etc. If available on the bike, also movement sideways, lean angles and so on, from the bike sensor box. All signals are taken into consideration, and the best click setting for the riding situation at the moment, is adjusted.

Needless to say, the Öhlins SCU are designed to fulfill automotive standards in terms of temperature, vibrations, moisture and dirt. CAN bus communication is used whenever possible on the bike application.



## KAWASAKI ZX-10R

Since 2013, the Ninja comes with a semi active steering damper ex-factory. For track day riders and high level racers that want to use the electronically controlled steering damper, we offer a race SCU. The Algorithms used in the Race SCU, give racing performance to the steering damper. Not for highway use!

The TTX36 EC shock absorber is also available to the ZX-10R, with semiactive control, totally based on riding behavior. If you ride calm, you get a lot of comfort and if you ride very fast you get the racing setting to match your riding style. The Öhlins Race Wiring harness, is intended to be used in combination with the Kawasaki Racing tuning kit.





## ÖHLINS DASHBOARD

Depending on application, we can also offer the Öhlins Dashboard as MMI to control the suspension adjustment. The Öhlins Dashboard utilize a touch screen that can be controlled while riding – with gloves – to change riding modes. Individualization of click settings, driving dynamics and more features can be adjusted.

The Öhlins Dashboard is standard on the Ducati 870 kits, and can be an option to the BMW 670/671 kits.



## MULTISTRADA 1200 MECHATRONICS KIT - DU 871

The complete kit to all Multistrada owners who want to update the bike from standard OEM suspension, into a full Öhlins semi active system. Consists of complete front fork, rear shock absorber, Öhlins Dashboard and the upgrade suspension control unit. Of course also with all necessary wiring, brackets, bits and pieces to make it fit the bike.

- TiN coated fork inner tubes, complete front fork
- Rear shock absorber with TTX technology and electronically
- Öhlins Semiactive suspension SCU
- Öhlins Dashboard for control
- All installation parts included



## BMW R 1200 GS MECHATRONICS KIT - BM 670/671

The successful mechatronics kit to the air cooled beamer is now being offered to all GS year models. Before the bikes needed to have ESA functions from the factory.

With the introduction of the Öhlins Dashboard as an accessory to the BMW kits, it can be fitted to any BMW R 1200 GS or GS adventure between 2004-2012. And ESA is no longer important.

- TTX technology shock absorbers
  - Semiactive functions, speed dependent setting
  - With ESA on the bike, it can be operated with the ESA button
  - Without ESA, the system is operated with the Öhlins Dashboard
  - The Öhlins Dashboard offers extended features to the rider compared to ESA
  - Öhlins Dashboard available during 2014.
- See [www.ohlins.com](http://www.ohlins.com)





## APRILIA ROAD & TRACK PRODUCTS

Model	Year	Part No	P. Family	Type Code	P/C	Length	Spring	Notes
RSV 1000 R	2004-2006	SD 175	Steering Damper	SD R&T	40			
RSV 1000 R	2004-2009	AP 351	STX 46 Hypersport	S46PR1C1LS	24	313 +3,5/-2,5	01093-31 (Y)	
RSV 4	2009-2016	AP 360	TTX GP	T36PR1C1LB	30	310 +6/-0	21040-31 (Y)	TTX GP
RSV 4 Factory Öhlins front fork	2010-2016	FGK 215	NIX 30	NIX30	107	730	*	08790-xx series spring
RSV 4 Factory Öhlins front fork	2010-2016	FKR 113	FKR 100	TTX25S	113		See notes	Comes with 3 different spring rates: 9.5 ,10 & 10.5N/mm
RSV 1000 Mille	2007-2016	FKR 113	FKR 100	TTX25S	113		See notes	Comes with 3 different spring rates: 9.5 ,10 & 10.5N/mm
RSV 4 R Sachs front fork	2010-2014	FGK 223	NIX 30	NIX30	107	720	*	Sachs fork, 08790-xx series spring
RSV 4 R Showa front fork	2010-2011	FPK 111	Accessories	Fork piston kit	See parts price list			Showa front fork
Tuono	2006-2009	AP 351	STX 46 Hypersport	S46PR1C1LS	24	313 +3,5/-2,5	01093-31 (Y)	



## BETA MX & ENDURO PRODUCTS

Model	Year	Part No	P. Family	Type Code	P/C	Length	Notes
RR 2T 250/300	2016-2017	BA 1784	TTX Flow	T46PR1C1W	225	490	06310- series springs
RR 2T 250/300	2016-2017	FGBA 1784	TTX 22	TTX Cartridge kit	245		08765- series springs
RR 2T 250/300	2016-2017	FGBA 1786	RXF 48	RXF 48	1155		08765- series springs
RR 2T 250/300 Racing	2016-2017	BA 1784	TTX Flow	T46PR1C1W	225	490	06310- series springs
RR 2T 250/300 Racing	2016-2017	FGBA 1786	RXF 48	RXF 48	1155		08765- series springs
RR 4T 350/390/430/480	2016-2017	BA 1784	TTX Flow	T46PR1C1W	225	490	06310- series springs
RR 4T 350/390/430/480	2016-2017	FGBA 1784	TTX 22	TTX Cartridge kit	245		08765- series springs
RR 4T 350/390/430/480	2016-2017	FGBA 1786	RXF 48	RXF 48	1155		08765- series springs
RR 4T 350/430/480 Racing	2016-2017	BA 1784	TTX Flow	T46PR1C1W	225	490	06310- series springs
RR 4T 350/430/480 Racing	2016-2017	FGBA 1786	RXF 48	RXF 48	1155		08765- series springs



## BMW ROAD & TRACK PRODUCTS

Model	Year	Part No	P. Family	Type Code	P/C	Length	Spring	Notes
F 650 CS	2002-2004	08682-70	Fork springs		300	365		
F 650 GS	2000-2006	BM 344	STX 46 Adventure	S46ER1S	16	316	01092-74 (Y)	
F 650 GS (2 cyl)	2008-2012	BM 304	STX 46 Adventure	S46DR1S	16	413	01096-69 (Y)	
F 700 GS	2013-2014	BM 304	STX 46 Adventure	S46DR1S	16	413	01096-69 (Y)	
F 800 GS	2008-2012	08767-50	Fork springs		300	480		
F 800 GS	2008-2012	08767-55	Fork springs		300	480		
F 800 GS	2008-2012	08767-60	Fork springs		300	480		**
F 800 GS	2008-2016	BM 043	STX 46 Adventure	S46DR1	9	428.5	00698-69 (Y)	
F 800 GS	2008-2016	BM 303	STX 46 Adventure	S46HR1C1S	23	429	01096-69 (Y)	
F 800 GS	2013-2016	08417-55	Fork springs		300	495		Std version/**
F 800 GS (Marzocchi)	2008-2012	FKA 101	FKA 100	NIX30A	107	910	*	08767-series springs
F 800 GS (WP)	2013-2016	FKA 105	FKA 100	NIX30A	107	920	*	08418-series springs
F 800 GS Adventure	2014-2016	BM 305	STX 46 Adventure	S46HR1C1B	23	429	01096-69 (Y)	
F 800 GS Adv. (WP)	2013-2016	FKA 105	FKA 100	NIX30A	107	920	*	08418-series springs

\* Delivered without spring, must be ordered separately. (B) = Black spring, (C) = Chrome spring, (Y) = Yellow spring



# BMW ROAD & TRACK PRODUCTS

Model	Year	Part No	P. Family	Type Code	P/C	Length	Spring	Notes
F 800 R	2008-2014	BM 059	STX46 Street	S46DR1	9	350	01092-89 (Y)	
F 800 R	2009-2014	08688-90	Fork springs		300	448		
F 800 S	2007-2010	08751-90	Fork springs		300	440		
F 800 ST	2007-2010	08751-90	Fork springs		300	440		
G 650 X Challenge	2007-2009	BM 636	STX 46 Adventure	S46HR1C1	16	360	00698-39 (Y)	
HP 2 Enduro	2006	BM 688	STX 46 Adventure	S46PR1C2Q1	23	415.5	00580-24 (Y)	
HP 4	2013-2014	BM 360	TTX GP	T36PR1C1LB	30	353 +6/-0	21040-26 (Y)	TTX GP Race use only
HP 4	2013-2014	FGK 212	NIX 30	NIX30	107	741	*	08790-xx series spring Race use only
HP 4	2013-2014	FGR 162	FGR 100	TTX25G	113	741	04744-95/-10/-05	Springs -95,-10,-05 included in kit, Race use only. Only to be used with Öhlins Shock Absorber on DDC equipped bikes
HP 4	2013-2014	FGRT 202	FGRT 200	FGRT200	114	740	04744-10	Gold outer tubes. Race use only
HP 4	2013-2014	FGRT 212	FGRT 200	TTX25 press. Cartr kit.	114	740	04744-10	Black outer tube. Race use only
HP 4	2013-2014	FKR 104	FKR 100	TTX25S	113		See notes	Comes with 3 different spring rates: 9, 9.5 & 10N/mm
HP 4	2013-2014	SD 038	Steering Damper	SD R&T	40			
K 1200 GT	2003	BM 701	STX 36 Hypersport	S36D	9	319	00180-58 (Y)	Front
K 1200 LT	1999-2003	BM 851	STX46 Street	S46DR1S	16	400	01099-74 (Y)	Rear
K 1200 LT	1999-2008	BM 540	STX 36 Hypersport	S36D	9	319	00180-56 (Y)	Front
K 1200 LT	2004-2008	BM 539	STX46 Street	S46DR1S	16	400	01099-74 (Y)	Rear
K 1200 R	2005-2008	BM 445	STX46 Street	S46DR1	9	323.5	01093-49 (Y)	Front
K 1200 R	2005-2008	BM 502	STX46 Street	S46PR1C1S	26	334	01092-29 (Y)	Rear
K 1200 R Sport	2007-2008	BM 445	STX46 Street	S46DR1	9	323.5	01093-49 (Y)	Front
K 1200 R Sport	2007-2008	BM 502	STX46 Street	S46PR1C1S	26	334	01092-29 (Y)	Rear
K 1200 RS	1997-2003	BM 701	STX 36 Hypersport	S36D	9	319	00180-58 (Y)	Front
K 1200 S	2005-2008	BM 445	STX46 Street	S46DR1	9	323.5	01093-49 (Y)	Front
K 1300 R	2008-2014	BM 502	STX46 Street	S46PR1C1S	26	334	01092-29 (Y)	Rear
R 100 CS	All	BM 141	STX 36 Hypersport	S36P	13	338	00480-03 (B)	Rear
R 100 GS	1987-1994	BM 051	STX46 Street	S46DR1	9	495	00698-24 (Y)	Rear
R 100 GS	1987-1994	BM 051	STX46 Street	S46DR1	9	495	00698-24 (Y)	Rear
R 100 GS	1987-1994	BM 541	STX46 Street	S46PR1C1S	23	498.5	00698-24 (Y)	Rear
R 100 GS	1987-1994	BM 836	STX46 Street	S46DR1S	16	495	00698-24 (Y)	Rear
R 100 PD	1987-1994	BM 051	STX46 Street	S46DR1	9	495	00698-24 (Y)	Rear
R 100 PD	1987-1994	BM 051	STX46 Street	S46DR1	9	495	00698-24 (Y)	Rear
R 100 PD	1987-1994	BM 541	STX46 Street	S46PR1C1S	23	498.5	00698-24 (Y)	Rear
R 100 PD	1987-1994	BM 836	STX46 Street	S46DR1S	16	495	00698-24 (Y)	Rear
R 100 R	1992-1995	BM 052	STX46 Street	S46DR1	9	474	01096-24 (Y)	Rear
R 100 RS	1985-1993	BM 053	STX46 Street	S46DR1	9	409	01096-21 (Y)	Rear
R 100 RS	1985-1993	BM 053	STX46 Street	S46DR1	9	409	01096-21 (Y)	Rear
R 100 RS	1985-1993	BM 941	STX46 Street	S46HR1C1	16	409	01096-21 (Y)	Rear
R 100 RT	1981-1986	BM 141	STX 36 Hypersport	S36P	13	338	00480-03 (B)	Rear
R 100 RT	1985-1993	BM 053	STX46 Street	S46DR1	9	409	01096-21 (Y)	Rear
R 100 RT	1985-1993	BM 053	STX46 Street	S46DR1	9	409	01096-21 (Y)	Rear
R 100 RT	1985-1993	BM 941	STX46 Street	S46HR1C1	16	409	01096-21 (Y)	Rear
R 100 S	All	BM 141	STX 36 Hypersport	S36P	13	338	00480-03 (B)	Rear
R 1100 GS	1994-1999	BM 424	STX 46 Adventure	S46DR1S	16	383	01095-64 (Y)	Rear
R 1100 GS	1994-2000	BM 425	STX 46 Adventure	S46ER1	9	335	01096-10 (Y)	Front
R 1100 R	1995-2000	BM 634	STX46 Street	S46ER1	9	327	01096-10 (Y)	Front
R 1100 RS	1993-2001	BM 335	STX46 Street	S46ER1	9	320	01096-10 (Y)	Front
R 1100 RT	1996-2001	BM 601	STX46 Street	S46ER1	9	330	01096-10 (Y)	Front
R 1100 S	1998-2004	BM 205	STX46 Street	S46PR1C1LS	24	315 +12/-0	01093-59 (Y)	Rear
R 1100 S	1999-2004	BM 842	STX 36 Hypersport	S36PR1	16	318	00180-44 (Y)	Front

\* Delivered without spring, must be ordered separately. (B) = Black spring, (C) = Chrome spring, (Y) = Yellow spring





# BMW ROAD & TRACK PRODUCTS

Model	Year	Part No	P. Family	Type Code	P/C	Length	Spring	Notes
R 1150 GS	2000-2003	BM 045	STX 46 Adventure	S46DR1	9	383	01095-54 (Y)	Rear
R 1150 GS	2000-2003	BM 425	STX 46 Adventure	S46ER1	9	335	01096-10 (Y)	Front
R 1150 GS	2000-2003	BM 542	STX 46 Adventure	S46HR1C1S	23	383	01095-54 (Y)	Rear
R 1150 GS	2000-2003	BM 940	STX 46 Adventure	S46DR1S	16	383	01095-54 (Y)	Rear
R 1150 GS Adv	2002-2005	BM 215	STX 46 Adventure	S46DR1S	16	390	01095-54 (Y)	Rear
R 1150 GS Adv	2002-2005	BM 216	STX 46 Adventure	S46ER1	9	344.5	01096-10 (Y)	Front
R 1150 R	2001-2006	BM 049	STX46 Street	S46DR1S	16	366	01092-79 (Y)	Rear
R 1150 R	2001-2006	BM 050	STX 36 Hypersport	S36DR1L	9	334 +6/-4	00180-44 (Y)	Front
R 1150 RS	2002-2004	BM 335	STX 46 Adventure	S46ER1	9	320	01096-10 (Y)	Front
R 1150 RT	2002-2004	BM 124	STX46 Street	S46ER1	9	330	01096-13 (Y)	Front
R 1150 RT	2002-2004	BM 125	STX46 Street	S46DR1S	16	366	01092-69 (Y)	Rear
R 1200 GS	2004-2012	35007-01	Accessories	Dashboard				Makes it possible to install BM 670 to 2004-2008 models, And adds extra functions on 2008-2012 models. P/C- See parts price list.
R 1200 GS	2004-2012	BM 044	STX 46 Adventure	S46DR1	9	403	00698-54 (Y)	Rear
R 1200 GS	2004-2012	BM 044	STX 46 Adventure	S46DR1	9	403	00698-54 (Y)	Rear
R 1200 GS	2004-2012	BM 436	STX 46 Adventure	S46DR1S	16	403	00698-54 (Y)	Rear
R 1200 GS	2004-2012	BM 437	STX 46 Adventure	S46ER1	9	337	01096-10 (Y)	Front
R 1200 GS	2004-2012	BM 437	STX 46 Adventure	S46ER1	9	337	01096-10 (Y)	Front
R 1200 GS	2004-2012	BM 508	STX 46 Adventure	S46DR1S	16	395	00698-54 (Y)	Rear short
R 1200 GS	2004-2012	BM 509	STX 46 Adventure	S46ER1	9	325	01096-10 (Y)	Front short
R 1200 GS	2004-2012	BM 509	STX 46 Adventure	S46ER1	9	325	01096-10 (Y)	Front short
R 1200 GS	2004-2012	BM 676	TTX 36/TTX 39 Adv	T39PR1C1S	29	402.5	01103-49 (Y)	Rear
R 1200 GS	2004-2012	BM 677	TTX 36/TTX 39 Adv	T36PR1C1	17	340	21067-09 (Y)	Front
R 1200 GS	2008-2012	BM 670	TTX 36/TTX 39 EC Adventure	EC-kit	50		01103-49 (Y) / 21067-09 (Y)	
R 1200 GS Adventure	2006-2013	35007-01	Accessories	Dashboard				Makes it possible to install BM 671 to 2006-2008 models, And adds extra functions on 2008-2013 models. P/C- See parts price list
R 1200 GS Adv	2006-2013	BM 607	STX 46 Adventure	S46ER1	9	347	01096-12 (Y)	Front
R 1200 GS Adv	2006-2013	BM 678	TTX 36/TTX 39 Adv	T39PR1C1S	29	410.5	01103-54 (Y)	Rear
R 1200 GS Adv	2006-2013	BM 679	TTX 36/TTX 39 Adv	T36PR1C1	17	350.5	21067-12 (Y)	Front
R 1200 GS Adv	2008-2013	BM 671	TTX 36/TTX 39 EC Adv	EC-kit	50		01103-54 (Y) / 21067-12 (Y)	
R 1200 GS Adventure K51	2014-2016	BM 148	TTX 36/TTX 39 Adventure	T39PR1C1S	29	408.5	01103-59 (Y)	Rear Water cooled
R 1200 GS Adventure K51	2014-2016	BM 149	TTX 36/TTX 39 Adventure	T36PR1C1	17	399	21067-15 (Y)	Front Water cooled
R 1200 GS K50	2013-2016	BM 146	TTX 36/TTX 39 Adv	T39PR1C1S	29	402.5	01103-54 (Y)	Rear Water cooled
R 1200 GS K50	2013-2016	BM 147	TTX 36/TTX 39 Adv	T36PR1C1	17	392	21067-12 (Y)	Front Water cooled
R 1200 R	2006-2012	SD 037	Steering Damper	SD R&T	40			
R 1200 R	2007-2010	BM 708	STX46 Street	S46PR1C1LS	24	380 +12/-0	01092-79 (Y)	Rear
R 1200 R	2007-2010	BM 709	STX 36 Hypersport	S36DR1L	9	327 +8/-2	00180-44 (Y)	Front
R 1200 R	2015-2016	BM 511	STX46 Street	S46DR1S	16	375.5	01096-69 (Y)	Rear
R 1200 R	2015-2016	FGK 236	NIX 30	NIX30	107	829mm		Recommended spring 08423-90. Not suitable for ESA equipped bikes. Only fits the Sachs version OEM fork.
R 1200 R	2015-2016	SD 049	Steering Damper	SD R&T	40			
R 1200 RS	2015-2016	BM 511	STX46 Street	S46DR1S	16	375.5	01096-69 (Y)	
R 1200 RS	2015-2016	FGK 236	NIX 30	NIX30	107	836mm		Recommended spring 08423-90. Not suitable for ESA equipped bikes. Only fits the Sachs version OEM fork.
R 1200 RS	2015-2016	SD 051	Steering Damper	SD R&T	40			
R 1200 RT	2005-2009	BM 503	STX46 Street	S46ER1	9	330	01096-14 (Y)	Front

\* Delivered without spring, must be ordered separately. (B) = Black spring, (C) = Chrome spring, (Y) = Yellow spring



# BMW ROAD & TRACK PRODUCTS

Model	Year	Part No	P. Family	Type Code	P/C	Length	Spring	Notes
R 1200 RT	2005-2013	BM 504	STX46 Street	S46DR1S	16	376	01092-69 (Y)	Rear
R 1200 RT K52	2014-2016	BM 438	STX46 Street	S46DR1S	16	375	01096-69 (Y)	Rear
R 50/5	All	BM 141	STX 36 Hypersport	S36P	13	338	00480-03 (B)	Rear
R 60/5	All	BM 141	STX 36 Hypersport	S36P	13	338	00480-03 (B)	Rear
R 60/6	All	BM 141	STX 36 Hypersport	S36P	13	338	00480-03 (B)	Rear
R 75/6	All	BM 141	STX 36 Hypersport	S36P	13	338	00480-03 (B)	Rear
R 80 GS	1980-1987	BM 317	STX46 Street	S46PR1C1	16	361	00698-19 (Y)	Rear
R 80 GS	1988-1994	BM 051	STX 46 Adventure	S46DR1	9	495	00698-24 (Y)	Rear
R 80 GS	1988-1994	BM 051	STX 46 Adventure	S46DR1	9	495	00698-24 (Y)	Rear
R 80 GS	1988-1994	BM 541	STX 46 Adventure	S46PR1C1S	23	498.5	00698-24 (Y)	Rear
R 80 GS	1988-1994	BM 836	STX 46 Adventure	S46DR1S	16	495	00698-24 (Y)	Rear
R 80 R	1992-1995	BM 052	STX46 Street	S46DR1	9	474	01096-24 (Y)	Rear
R 80 RS	1985-1993	BM 053	STX46 Street	S46DR1	9	409	01096-21 (Y)	Rear
R 80 RS	1985-1993	BM 053	STX 46 Adventure	S46DR1	9	409	01096-21 (Y)	Rear
R 80 RS	1985-1993	BM 941	STX 46 Adventure	S46HR1C1	16	409	01096-21 (Y)	Rear
R 80 RT	1977-1984	BM 141	STX 36 Hypersport	S36P	13	338	00480-03 (B)	Rear
R 80 RT	1985-1993	BM 053	STX46 Street	S46DR1	9	409	01096-21 (Y)	Rear
R 80 RT	1985-1993	BM 941	STX46 Street	S46HR1C1	16	409	01096-21 (Y)	Rear
R 80 RT	1985-1995	BM 053	STX46 Street	S46DR1	9	409	01096-21 (Y)	Rear
R 850 GS	1994-2000	BM 424	STX 46 Adventure	S46DR1S	16	383	01095-64 (Y)	Rear
R 850 GS	1994-2000	BM 425	STX 46 Adventure	S46ER1	9	335	01096-10 (Y)	Front
R 850 R	1996-2002	BM 634	STX46 Street	S46ER1	9	327	01096-10 (Y)	Front
R 850 R	2003-2006	BM 049	STX46 Street	S46DR1S	16	366	01092-79 (Y)	Rear
R 850 R	2003-2006	BM 050	STX 36 Hypersport	S36DR1L	9	334 +6/-4	00180-44 (Y)	Front
R 90 S	All	BM 141	STX 36 Hypersport	S36P	13	338	00480-03 (B)	Rear
R 90/6	All	BM 141	STX 36 Hypersport	S36P	13	338	00480-03 (B)	Rear
R nine T	2014-2016	08426-90	Fork springs		300	250		
R nine T	2014-2016	BM 440	STX46 Street	S46PR1C1B	24	368	01093-64 (Y)	Not suitable for use with HIGH Acrapovic OE accessory exhaust.
R nine T	2014-2016	FGK 231	NIX 30	NIX30	107	741	*	08790-xx series spring
R nine T	2014-2016	FGRT 216	FGRT 200	FGRT200	114	740	04744-90	Black outer tube.
R nine T	2014-2016	FGRT 218	FGRT 200	FGRT200	114	740	04744-90	Gold outer tube
R nine T	2014-2016	SD 044	Steering Damper	SD R&T	40			
R nine T	2016-2017	BM 650	STX46 Street	S46DR1LB	16		01093-64	
R nine T Scrambler	2016	SD 044	Steering Damper	SD R&T	40			
R nine T Scrambler	2016-2017	FKS 211	NIX 22	NIX 22	11	788		Sold separately, see notes
R nine T Scrambler	2016-2017	BM 640	STX46 Street	S46DR1LB	16		21102-54	
S 1000 R	2014-2015	FGRT 217	FGRT 200	FGRT200	114	740	04744-90	Gold outer tubes.
S 1000 R	2014-2016	BM 345	TTX GP	T36PR1C1LB	27	335 +4/-2	21040-21 (Y)	
S 1000 R	2014-2016	BM 365	TTX GP	T36PR1C1LB	30	335 +4/-2	21040-21 (Y)	TTX GP
S 1000 R	2014-2016	FGK 233	NIX 30	NIX30	107	741	*	08790-xx series spring
S 1000 R	2014-2016	SD 046	Steering Damper	SD R&T	40			
S 1000 RR	2008-2016	FGK 212	NIX 30	NIX30	107	741	*	08790-xx series spring, Only to be used with Öhlins Shock Absorber on DDC equipped bikes
S 1000 RR	2008-2016	FGR 162	FGR 100	TTX25G	113	741	04744-95/-10/-05	Springs -95,-10,-05 included in kit, Race use only. Only to be used with Öhlins Shock Absorber on DDC equipped bikes

\* Delivered without spring, must be ordered separately. (B) = Black spring, (C) = Chrome spring, (Y) = Yellow spring



# BMW ROAD & TRACK PRODUCTS

Model	Year	Part No	P. Family	Type Code	P/C	Length	Spring	Notes
S 1000 RR	2008-2016	FGRT 202	FGRT 200	FGRT200	114	740	04744-10	Gold outer tubes. Only to be used with Öhlins Shock Absorber on DDC equipped bikes
S 1000 RR	2008-2016	FGRT 212	FGRT 200	FGRT200	114	740	04744-10	Black Outer tube, Only to be used with Öhlins Shock Absorber on DDC equipped bikes
S 1000 RR	2008-2017	FKR 104	FKR 100	TTX25S	113		See notes	Comes with 3 different spring rates: 9, 9.5 & 10N/mm
S 1000 RR	2010-2011	08792-05	Fork springs		300	209		**
S 1000 RR	2010-2011	08792-10	Fork springs		300	209		**
S 1000 RR	2010-2011	08792-95	Fork springs		300	209		*/**
S 1000 RR	2010-2011	BM 342	TTX GP	T36PR1C1LB	27	314 +3/-3	21040-26 (Y)	TTX GP
S 1000 RR	2010-2011	BM 362	TTX GP	T36PR1C1LB	30	314 +3/-3	21040-26 (Y)	TTX GP
S 1000 RR	2010-2011	BM 931	TTX 36	T36PR1C1LB	24	314 +3/-3	21040-26 (Y)	MKII
S 1000 RR	2010-2011	SD 033	Steering Damper	SD R&T	40			
S 1000 RR	2012-2014	08407-05	Fork springs		300	215		**
S 1000 RR	2012-2014	08407-10	Fork springs		300	215		*/**
S 1000 RR	2012-2014	08407-95	Fork springs		300	215		**
S 1000 RR	2012-2014	BM 358	TTX RT	T36PR1C1L	23	310 +5/-1	21040-26 (Y)	Not HP4
S 1000 RR	2012-2014	BM 361	TTX GP	T36PR1C1LB	30	310 +5/-1	21040-26 (Y)	TTX GP. Not HP4
S 1000 RR	2012-2016	SD 038	Steering Damper	SD R&T	40			
S 1000 RR	2015-2016	BM 360	TTX GP	T36PR1C1LB	30	353 +6/-0	21040-26 (Y)	For bikes equipped with DDC, only use this shock with Öhlins front end products.



# BUELL ROAD & TRACK PRODUCTS

Model	Year	Part No	P. Family	Type Code	P/C	Length	Spring	Notes
1125CR	2009	BU 888	TTX 36	T36PR1C1LS	30	321 +6/-0	21040-39 (Y)	
1125R	2008-2009	BU 888	TTX 36	T36PR1C1LS	30	321 +6/-0	21040-39 (Y)	



# DUCATI ROAD & TRACK PRODUCTS

Model	Year	Part No	P. Family	Type Code	P/C	Length	Spring	Notes
1098	2007-2008	FGRT 210	FGRT 200	FGRT200	114	715	04744-10	Gold outer tubes. Replaces FGRT 819
1098	2007-2008	FGRT 213	FGRT 200	FGRT200	114	715	04744-10	Black outer tube.
1098	2007-2008	FGK 210	NIX 30	NIX30	107	717	*	08790-xx series spring
1098	2007-2008	FPK 103	Accessories	Fork piston kit				P/C- See parts price list
1098	2007-2008	SD 031	Steering Damper	SD R&T	44			
1098 S	2007-2008	03200-27	Accessories	Fork piston kit				P/C- See parts price list
1098	2007-2008	08761-05	Fork springs		300	310		**
1098	2007-2008	08761-10	Fork springs		300	310		**
1098	2007-2008	08761-95	Fork springs		300	310		*/**
1098	2007-2008	DU 931	TTX 36	T36PR1C1B	29	294.5	21040-24 (Y)	MKII
1198	2009-2011	08761-05	Fork springs		300	310		**
1198	2009-2011	08761-10	Fork springs		300	310		**
1198	2009-2011	08761-95	Fork springs		300	310		*/**
1198	2009-2011	FGK 210	NIX 30	NIX30	107	717	*	08790-xx series spring
1198	2009-2011	FGRT 210	FGRT 200	FGRT200	114	715	04744-10	Gold outer tubes. Replaces FGRT 819

\* Delivered without spring, must be ordered separately. (B) = Black spring, (C) = Chrome spring, (Y) = Yellow spring



Model	Year	Part No	P. Family	Type Code	P/C	Length	Spring	Notes
1198	2009-2011	FGRT 213	FGRT 200	FGRT200	114	715	04744-10	Black outer tube.
1198	2009-2011	FPK 103	Accessories	Fork piston kit				P/C- See parts price list
1198	2009-2011	SD 031	Steering Damper	SD R&T	44			
1198 S	2009-2011	03200-27	Accessories	Fork piston kit				P/C- See parts price list
1198	2009-2011	DU 931	TTX 36	T36PR1C1B	29	294.5	21040-24 (Y)	MKII
1199 Panigale	2012-2014	FGRT 203	FGRT 200	FGRT200	114	740	04744-10	Gold outer tubes. Fits base version of Panigale
1199 Panigale	2012-2014	SD 040	Steering Damper	SD R&T	40			
1199 Panigale	2012-2015	DU 360	TTX GP	T36PR1C1L	28	312 +4/-8	01092-29 (Y)	TTX GP
1199 Panigale (Marzocchi)	2012-2014	08411-05	Fork springs		300	250		
1199 Panigale (Marzocchi)	2012-2014	08411-95	Fork springs		300	250		
1199 Panigale (Marzocchi)	2012-2014	FGK 224	NIX 30	NIX30	107	741		08790-xx series springs
1199 Panigale (Marzocchi)	2012-2014	FGR 174	FGR 100	TTX25G	113	741	04744-95/-10/-05	Springs -95,-10,-05 included in kit
1199 Panigale R (Öhlins FG 923)	2015-2017	FKR 114	FKR 100	TTX25S	113		See notes	Comes with 3 different spring rates: 9, 9.5 & 10N/mm
1199 Panigale R (Öhlins FG 925)	2013-2014	FGK 219	NIX 30	NIX30	107	738		Used to remove EC cartridge. 08790-xx series spring
1199 Panigale R (Öhlins FG 925)	2013-2014	FGR 169	FGR 100	TTX25G	113	738	04744-95/-10/-05	Springs -95,-10,-05 included in kit
1199 Panigale R (Öhlins FG 925)	2013-2014	FKR 108	FKR 100	TTX25S	113		See notes	Comes with 3 different spring rates: 9, 9.5 & 10N/mm (Not 2017 model)
1199 Panigale S (Öhlins FG 925)	2012-2014	FGK 219	NIX 30	NIX30	107	738		Used to remove EC cartridge. 08790-xx series spring
1199 Panigale S (Öhlins FG 925)	2012-2014	FGR 169	FGR 100	TTX25G	113	738	04744-95/-10/-05	Springs -95,-10,-05 included in kit
1199 Panigale S (Öhlins FG 925)	2012-2014	FKR 108	FKR 100	TTX25S	113		See notes	Comes with 3 different spring rates: 9, 9.5 & 10N/mm (Not 2017 model)
1299 Panigale	2015-2016	DU 360	TTX GP	T36PR1C1L	28	312 +4/-8	01092-29 (Y)	TTX GP
1299 Panigale	2015-2016	FGRT 203	FGRT 200	FGRT200	114	740	04744-10	Gold outer tubes. Fits base version of Panigale
1299 Panigale	2015-2016	SD 040	Steering Damper	SD R&T	40			
1299 Panigale (Marzocchi)	2015-2016	FGK 224	NIX 30	NIX30	107	741		08790-xx series springs
1299 Panigale (Marzocchi)	2015-2016	FGR 174	FGR 100	TTX25G	113	741	04744-95/-10/-05	Springs -95,-10,-05 included in kit
1299 Panigale S (Öhlins FL 945)	2015-2016	FGK 219	NIX 30	NIX30	107	738	*	08790-xx series spring
1299 Panigale S (Öhlins FL 945)	2015-2016	FGR 169	FGR 100	TTX25G	113	738	04744-95/-10/-05	Springs -95,-10,-05 included in kit
1299 Panigale S (Öhlins FL 945)	2015-2017	FKR 108	FKR 100	TTX25S	113		See notes	Comes with 3 different spring rates: 9, 9.5 & 10N/mm (Not 2017 model)
748	1994-1999	08627-90	Fork springs		300	287		
748	1994-1999	08627-90	Fork springs		300	287		Privateer racing
748	1994-2002	SD 031	Steering Damper	SD R&T	44			
748 Biposto	1995-1999	08627-90	Fork springs		300	287		
750 Sport	2001-2002	DU 235	STX46 Street	S46PR1C1L	17	328 +12/0	01092-26 (Y)	
750 SS	1991-2002	DU 235	STX46 Street	S46PR1C1L	17	328 +12/0	01092-26 (Y)	
848	2007-2012	FPK 103	Accessories	Fork piston kit				P/C- See parts price list
848	2008-2011	SD 197	Steering Damper	SD R&T	46			
848	2008-2013	08761-05	Fork springs		300	310		**
848	2008-2013	08761-10	Fork springs		300	310		**
848	2008-2013	08761-95	Fork springs		300	310		**/*
848	2008-2013	DU 931	TTX 36	T36PR1C1B	29	294.5	21040-24 (Y)	MKII
848	2008-2013	FGK 210	NIX 30	NIX30	107	717	*	08790-xx series spring

\* Delivered without spring, must be ordered separately. (B) = Black spring, (C) = Chrome spring, (Y) = Yellow spring

Model	Year	Part No	P. Family	Type Code	P/C	Length	Spring	Notes
848	2008-2013	FGRT 210	FGRT 200	FGRT200	114	715	04744-10	Gold outer tubes. Replaces FGRT 819
848	2008-2013	FGRT 213	FGRT 200	FGRT200	114	715	04744-10	Black outer tube.
848 EVO / EVO Corse	2011-2013	SD 031	Steering Damper	SD R&T	44			
899 Panigale	2014-2015	DU 361	TTX GP	T36PR1C1L	28	312 +4/-8	01092-24 (Y)	TTX GP
899 Panigale	2014-2015	FGK 229	NIX 30	NIX30	107	738	*	Showa fork, 08790-xx series springs
899 Panigale	2014-2015	FGR 179	FGR 100	TTX25G	113	738	04744-95/-10/-05	Showa fork, Springs -95,-10,-05 included in kit
899 Panigale	2014-2015	FGRT 214	FGRT 200	FGRT200	114	740	04744-10	Black outer tubes.
899 Panigale	2014-2015	FKR 115	FKR 100	TTX25S	113		See notes	Comes with 3 different spring rates: 9.5 ,10 & 10.5N/mm
899 Panigale	2014-2015	SD 040	Steering Damper	SD R&T	40			
900 SL	1991-1999	DU 235	STX46 Street	S46PR1C1L	17	328 +12/-0	01092-26 (Y)	
900 Sport	2002	DU 235	STX46 Street	S46PR1C1L	17	328 +12/-0	01092-26 (Y)	
900 SS	1991-2002	DU 235	STX46 Street	S46PR1C1L	17	328 +12/-0	01092-26 (Y)	
916	1994-1998	08627-90	Fork springs		300	287		
916	1994-1998	SD 031	Steering Damper	SD R&T	44			
916	1994-1999	08627-90	Fork springs		300	287		Privateer racing
916 Biposto	1995-1998	08627-90	Fork springs		300	287		
959 Panigale	2016	DU 361	TTX GP	T36PR1C1L	28	312 +4/-8	01092-24 (Y)	TTX GP
959 Panigale	2016	FGK 229	NIX 30	NIX30	107	738	*	Showa fork, 08790-xx series springs
959 Panigale	2016	FGR 179	FGR 100	TTX25G	113	738	04744-95/-10/-05	Showa fork, Springs -95,-10,-05 included in kit
959 Panigale	2016	FGRT 214	FGRT 200	FGRT200	114	740	04744-10	Black outer tubes.
959 Panigale	2016	SD 040	Steering Damper	SD R&T	40			
959 Panigale	2016-2017	FKR 115	FKR 100	TTX25S	113		See notes	Comes with 3 different spring rates: 9.5 ,10 & 10.5N/mm
996	1999	08627-90	Fork springs		300	287		
996	1999	08627-90	Fork springs		300	287		Privateer racing
996	1999-2001	SD 031	Steering Damper	SD R&T	44			
996 Biposto	1999	08627-90	Fork springs		300	287		
998	2002-2003	SD 031	Steering Damper	SD R&T	44			
Diavel	2001-2015	DU 110	STX46 Street	S46HR1C1S	24	295.5	01092-24 (Y)	
Diavel	2011-2015	FGRT 301	FGRT 300	FGRT200	116	765	04744-95	48mm Innertube
MH900e	2001-2002	DU 106	STX46 Street	S46PR1C1L	17	325 +3,5/-2,5	01092-04 (Y)	
Monster 1000	2003-2005	DU 046	STX46 Street	S46PR1C1S	23	305	01091-34 (Y)	
Monster 1000	2003-2005	DU 321	STX46 Street	S46DR1	9	305	01091-34 (Y)	
Monster 1000	2003-2007	SD 154	Steering Damper	SD R&T	44			
Monster 1100	2009-2013	DU 737	STX46 Street	S46DR1	9	294.5	01092-41 (Y)	
Monster 600	1994-2001	DU 044	STX46 Street	S46DR1	9	330	01091-31 (Y)	
Monster 600	1994-2001	DU 440	STX46 Street	S46HR1C1	16	330	01091-31 (Y)	
Monster 620	2002-2005	08627-90	Fork springs		300	287		
Monster 620	2002-2005	DU 046	STX46 Street	S46PR1C1S	23	305	01091-34 (Y)	
Monster 620	2002-2005	DU 321	STX46 Street	S46DR1	9	305	01091-34 (Y)	
Monster 620	2002-2007	SD 154	Steering Damper	SD R&T	44			
Monster 695	2006-2008	08627-90	Fork springs		300	287		
Monster 695	2006-2008	DU 046	STX46 Street	S46PR1C1S	23	305	01091-34 (Y)	
Monster 695	2006-2008	DU 321	STX46 Street	S46DR1	9	305	01091-34 (Y)	
Monster 695	2007	SD 154	Steering Damper	SD R&T	44			
Monster 696	2008-2012	DU 737	STX46 Street	S46DR1	9	294.5	01092-41 (Y)	
Monster 750	1994-2001	DU 044	STX46 Street	S46DR1	9	330	01091-31 (Y)	
Monster 750	1994-2001	DU 440	STX46 Street	S46HR1C1	16	330	01091-31 (Y)	

\* Delivered without spring, must be ordered separately. (B) = Black spring, (C) = Chrome spring, (Y) = Yellow spring



# DUCATI ROAD & TRACK PRODUCTS

Model	Year	Part No	P. Family	Type Code	P/C	Length	Spring	Notes
Monster 750	2002	DU 046	STX46 Street	S46PR1C1S	23	305	01091-34 (Y)	
Monster 750	2002	DU 321	STX46 Street	S46DR1	9	305	01091-34 (Y)	
Monster 750	2002	SD 154	Steering Damper	SD R&T	44			
Monster 796	2011-2012	DU 737	STX46 Street	S46DR1	9	294.5	01092-41 (Y)	
Monster 800	2003-2005	DU 046	STX46 Street	S46PR1C1S	23	305	01091-34 (Y)	
Monster 800	2003-2005	DU 321	STX46 Street	S46DR1	9	305	01091-34 (Y)	
Monster 800	2003-2007	SD 154	Steering Damper	SD R&T	44			
Monster 821	2015-2016	DU 506	STX46 Street	S46HR1C1	PC 16	290mm	61091-41 (Y)	
Monster 900	1994-2001	DU 044	STX46 Street	S46DR1	9	330	01091-31 (Y)	
Monster 900	1994-2001	DU 440	STX46 Street	S46HR1C1	16	330	01091-31 (Y)	
Monster 900	2002	DU 046	STX46 Street	S46PR1C1S	23	305	01091-34 (Y)	
Monster 900	2002	DU 321	STX46 Street	S46DR1	9	305	01091-34 (Y)	
Monster 900	2002	SD 154	Steering Damper	SD R&T	44			
Monster S2R 1000	2005	DU 321	STX46 Street	S46DR1	9	305	01091-34 (Y)	
Monster S2R 1000	2005-2007	SD 154	Steering Damper	SD R&T	44			
Monster S2R 800	2005	08627-90	Fork springs		300	287		Privateer racing
Monster S2R 800	2005	DU 321	STX46 Street	S46DR1	9	305	01091-34 (Y)	
Monster S2R 800	2005-2007	SD 154	Steering Damper	SD R&T	44			
Monster S4	2001-2005	08643-90	Fork springs		300	370		
Monster S4	2001-2005	DU 046	STX46 Street	S46PR1C1S	23	305	01091-34 (Y)	
Monster S4	2001-2005	DU 321	STX46 Street	S46DR1	9	305	01091-34 (Y)	
Monster S4	2001-2007	SD 154	Steering Damper	SD R&T	44			
Monster S4R	2003-2006	DU 333	STX46 Street	S46HR1C1S	23	305	01092-31 (Y)	
Monster S4R	2003-2007	SD 154	Steering Damper	SD R&T	44			
Monster S4Rs	2006-2007	SD 154	Steering Damper	SD R&T	44			
Multistrada	2010-2014	DU 868	TTX 36/TTX 39 Adventure	T36PR1C1S	30	345	21729-34 (Y)	
Multistrada 1200	2010-2014	08410-65	Fork springs		300	328		
Scrambler	2015-2016	DU 505	STX46 Street	S46DR1	9	296	61091-39 (Y)	
Scrambler	2015-2017	FKS 501	NIX 30	NIX30	16	763	Sold separately, see notes	08423-xx spring series
Scrambler	2015-2017	FSK 113		FSK	02			
Scrambler Sixty2	2016-2017	DU 505	STX46 Street	S46DR1	9	296	61091-39 (Y)	
ST 2	1997-2000	08643-90	Fork springs		300	370		
ST 4	1997-2000	08643-90	Fork springs		300	370		

\* Delivered without spring, must be ordered separately. (B) = Black spring, (C) = Chrome spring, (Y) = Yellow spring

Model	Year	Part No	P. Family	Type Code	P/C	Length	Spring	Notes
Dyna FXD	1991-2016	HD 215	STX 36 Twin	S36PR1C1LB	33	340 +5/-5	21180-01 (B)	
Dyna FXD	1991-2016	HD 216	STX 36 Twin	S36E	9	305	21180-01 (B)	
Dyna FXD	1991-2016	HD 218	STX 36 Twin	S36K	21	305	03195-08 (C)	
Dyna FXD	1991-2016	HD 219	STX 36 Twin	S36PR1C1LB	33	305 +10/-0	00281-66 (B)	
Dyna FXD	1991-2016	HD 220	STX 36 Twin	S36E	9	340	21180-01 (B)	
Dyna FXD	1991-2016	HD 616	STX 36 Twin	S36E	9	305	21210-23 (C)	
Dyna FXD	1991-2016	HD 761	STX 36 Blackline	S36D	71	305mm / 12"	00281-66 (Black)	
Dyna FXD	1991-2016	HD 762	STX 36 Blackline	S36DR1L	72	305mm (+10mm) / 12" (+0.4")	00281-73 (Black)	
Dyna FXD	1991-2016	HD 763	STX 36 Blackline	S36PR1C1L	73	305mm (+10mm) / 12" (+0.4")	00281-73 (Black)	
Dyna FXD	1991-2016	HD 764	STX 36 Blackline	S36PR1C1L	73	336mm (+10mm) / 13.2" (+0.4")	21180-01 (Black)	
Dyna FXD	1991-2016	HD 816	STX 36 Twin	S36DR1L	16	325 +5/-5	21180-01 (B)	
Dyna FXD	1991-2016	HD 817	STX 36 Twin	S36DR1	15	305	21180-01 (B)	
Dyna FXD	2006-2016	FKS 212	NIX 22 HD	NIX 22	12	816		Will not fit Wide Glide FXDWG & FXDF FAT BOB. Spring series 08790-xx, 08790-10 recommended
Dyna Wide Glide FXDWG	2006-2016	FKS 205	NIX 22 HD	NIX 22	12	851		Spring series 08790-xx, 08790-10 recommended
FL Touring (Road King, Street Glide, Electra Glide etc)	1990-2017	HD 357	STX 36 Twin	S36HR1C1L	33	337,5 +0/-10	00281-68 (B)	
FL Touring (Road King, Street Glide, Electra Glide etc)	1990-2017	HD 538	STX 36 Twin	S36E	10	296	00360-06 (B)	
FL Touring (Road King, Street Glide, Electra Glide etc)	1990-2017	HD 539	STX 36 Twin	S36E	10	296	00380-06 (Y)	
FL Touring (Road King, Street Glide, Electra Glide etc)	1990-2017	HD 540	STX 36 Twin	S36E	10	296	21212-06 (C)	
FL Touring (Road King, Street Glide, Electra Glide etc)	1990-2017	HD 022	STX 36 Twin	S36E	9	329	00281-68 (B)	
FL Touring (Road King, Street Glide, Electra Glide etc)	1990-2017	HD 771	STX 36 Blackline	S36D	71	305mm / 12"	00360-06 (B)	
FL Touring (Road King, Street Glide, Electra Glide etc)	1990-2017	HD 772	STX 36 Blackline	S36DR1L	72	329mm (+5/-5mm) / 12.9" (+0.2-0.2")	00280-21 (B)	
FL Touring (Road King, Street Glide, Electra Glide etc)	1990-2017	HD 773	STX 36 Blackline	S36D	71	329mm / 12.9"	00281-68 (B)	
FL Touring (Road King, Street Glide, Electra Glide etc)	1990-2017	HD 774	STX 36 Blackline	S36DR1L	72	305mm (+10mm) / 12" (+0.4")	00280-21(B)	
FL Touring (Road King, Street Glide, Electra Glide etc)	1990-2017	HD 159	STX 36 Twin	S36DR1L	16	329 +5/-5	00280-21 (B)	
FL Touring (Road King, Street Glide, Electra Glide etc)	1997-2013	FKC 101	FKC 100	NIX25	12	677	*	Rec.springs 08419-10 not included. Optional Lowering kit (-25mm) 08865-01
FKC	1997-2013	08865-01	Fork springs	Lowering kit for FKC 101	302	-25mm	*	Springs rate 13N/mm included
FKC		08419-10	Fork springs		300	278		FKC 101
FL Touring (Road King, Street Glide, Electra Glide etc)	2006-2016	HD 039	STX 36 Twin	S36E	9	311	00280-21 (B)	
FL Touring (Road King, Street Glide, Electra Glide etc)	2014-2016	FKC 102	FKC 100	NIX25	12	736	Sold separately, see notes.	Rec.springs 08866-01 10N/mm not included. Optional lowering kit (-25mm) 08866-03. Will not fit Road King CVO 2014 or Electra Glide Low 2016.
FKC		08866-01	Fork springs	Rec. springs for FKC 102	300			Spring rate 10N/mm

\* Delivered without spring, must be ordered separately. (B) = Black spring, (C) = Chrome spring, (Y) = Yellow spring



# HARLEY-DAVIDSON ROAD & TRACK PRODUCTS

Model	Year	Part No	P. Family	Type Code	P/C	Length	Spring	Notes
FKC		08866-02	Fork springs	Optional Spring FKC 102	300			Spring rate 12N/mm
FKC		08866-03	Fork springs	Lowering kit for FKC 102	302	-25mm	08790-13	Springs rate 13N/mm included
Sportster XL1200N Nightster	2007-2016	FKS 206	NIX 22 HD	NIX 22	12	752		Spring series 08428-xx, 08428-80 recommended
Sportster XL1200X Forty-Eight	2007-2015	FKS 206	NIX 22 HD	NIX 22	12	752		Spring series 08428-xx, 08428-80 recommended
Sportster XL1200X Forty-Eight	2016-2017	FKS 213	NIX 22 HD	NIX 22	12	755		
Sportster XL883N Nightster	2007-2016	FKS 206	NIX 22 HD	NIX 22	12	752		Spring series 08428-xx, 08428-80 recommended
Street 500	2015-2017	HD 791	STX 36 Blackline	S36D	71	326mm / 12.8"	60480-02 (B)	
Street 750	2015-2017	HD 791	STX 36 Blackline	S36D	71	326mm / 12.8"	60480-02 (B)	
VRSC V-Rod	2002-2016	HD 781	STX 36 Blackline	S36DR1L	72	325mm (+5/-5mm) / 12.8" (+0.2-0.2")	00181-05 (B)	
VRSC V-Rod	2002-2016	HD 928	STX 36 Twin	S36DR1L	16	318 +10/-0	00181-05 (B)	
XL Sportster	2004-2016	HD 141	STX 36 Twin	S36PL	16	336 +10/-0	00480-02 (B)	
XL Sportster	2004-2016	HD 142	STX 36 Twin	S36PL	16	360 +10/-0	00480-01 (B)	
XL Sportster	2004-2016	HD 143	STX 36 Twin	S36PR1C1LB	33	336 +10/-0	00380-04 (Y)	
XL Sportster	2004-2016	HD 144	STX 36 Twin	S36PR1C1LB	33	360 +10/-0	00480-11 (Y)	
XL Sportster	2004-2016	HD 145E	STX 36 Twin	S36E	9	296	00360-04 (B)	
XL Sportster	2004-2016	HD 146	STX 36 Twin	S36E	9	360.5	00480-01 (B)	
XL Sportster	2004-2016	HD 645	STX 36 Twin	S36E	9	296	00380-04 (Y)	
XL Sportster	2004-2016	HD 716	STX 36 Twin	S36E	9	338	21211-02 (C)	
XL Sportster	2004-2016	HD 745	STX 36 Twin	S36E	9	296	21212-04 (C)	
XL Sportster	2004-2016	HD 751	STX 36 Blackline	S36D	71	296mm / 11.6"	00281-72 (B)	
XL Sportster	2004-2016	HD 752	STX 36 Blackline	S36PR1C1L	73	296mm (+10mm) / 11.6" (+0.4")	00281-72 (B)	
XL Sportster	2004-2016	HD 753	STX 36 Blackline	S36DR1L	72	336mm (+10mm) / 13.2" (+0.4")	00480-02 (B)	
XL Sportster	2004-2016	HD 754	STX 36 Blackline	S36E	70	338mm / 13.3"	00480-02 (B)	
XL Sportster	2004-2016	HD 755	STX 36 Blackline	S36D	71	361mm / 14.2"	00480-01 (B)	
XL Sportster	2004-2016	HD 756	STX 36 Blackline	S36PR1C1L	73	336mm (+10mm) / 13.2" (+0.4")	00480-02 (B)	
XL Sportster	2004-2016	HD 757	STX 36 Blackline	S36D	71	279mm / 10.9"	00280-21 (B)	
XL Sportster	2004-2016	HD 906	STX 36 Twin	S36DR1L	16	336 +10/-0	00480-02 (B)	
XL Sportster	2004-2016	HD 916E	STX 36 Twin	S36E	9	338	00480-02 (B)	
XR 1200	2004-2013	HD 852	STX 36 Twin	S36PR1C1L	25	415 +5/-5	06380-04 (Y)	
XR 1200	2004-2013	HD 907	STX 36 Twin	S36PL	16	360 +10/-0	00480-02 (B)	
XR 1200	2004-2013	HD 908	STX 36 Twin	S36PL	16	360 +10/-0	00480-12 (Y)	

\* Delivered without spring, must be ordered separately. (B) = Black spring, (C) = Chrome spring, (Y) = Yellow spring





# HONDA ROAD & TRACK PRODUCTS

Model	Year	Part No	P. Family	Type Code	P/C	Length	Spring	Notes
Ape 50/100		HO 511	STX 36 Hypersport	S36HR1C1L	15	263 +2,5/-2,5	00281-39 (Y)	
Ape 50/100		HO 513	STX 36 Hypersport	S36E	5	261	00281-38 (Y)	
CB 1000 BIG	1993-1997	08833-01	Fork springs		300			
CB 1000 BIG	1993-1997	HO 143	STX 36 Twin	S36P	13	356.5	00480-03 (B)	
CB 1000 R	2008-2014	08665-90	Fork springs		300	250		*
CB 1000 R	2008-2014	08665-95	Fork springs		300	250		
CB 1000 R	2008-2014	HO 009	STX46 Street	S46DR1	9	310	01095-64 (Y)	
CB 1000 R	2008-2014	HO 009	STX46 Street	S46DR1	9	310	01095-64 (Y)	
CB 1000 R	2008-2014	HO 808	STX46 Street	S46HR1C1S	23	309.5	01093-64 (Y)	
CB 1100	2010-2016	HO 010	STX 36 Twin	S36DR1L	20	362 +5/-5	00480-03 (B)	
CB 1100	2010-2016	HO 011	STX 36 Twin	S36DR1L	20	362 +5/-5	21211-03 (C)	
CB 1100	2013-2016	HO 239	STX 36 Twin	S36PR1C1L	30	360 +10/-0	00480-33 (Y)	
CB 1100 F	1982-1985	HO 140	STX 36 Twin	S36P	13	364	00480-03 (B)	
CB 1100 F	1982-1985	HO 153E	STX 36 Twin	S36E	9	365	00480-03 (B)	
CB 1100 R	1981-1984	HO 140	STX 36 Twin	S36P	13	364	00480-03 (B)	
CB 1100 R	1981-1984	HO 153E	STX 36 Twin	S36E	9	365	00480-03 (B)	
CB 1300	1999-2001	HO 147	STX 36 Twin	S36PR1C1LB	30	310 +10/-0	00180-57 (Y)	
CB 1300	2003-2011	HO 414	STX 36 Twin	S36PR1C1L	30	365 +8/-2	00480-23 (B)	
CB 1300	2003-2011	HO 417	STX 36 Twin	S36PR1C1L	30	365 +8/-2	00480-33 (Y)	
CB 1300		HO 963	STX 36 Blackline	S36PR1C1L	73	365 +7/-3	00480-23 (B)	
CB 400 Super Four	1992-1993	HO 142	STX 36 Twin	S36P	13	330	00480-02 (B)	
CB 600F Hornet	1998-2002	08803-01	Fork springs		300			*
CB 600F Hornet	1998-2002	08803-03	Fork springs		300			
CB 600F Hornet	2003-2004	08803-04	Fork springs		300			
CB 600F Hornet	2005-2006	08717-85	Fork springs		300	280		
CB 600F Hornet	2005-2006	HO 155	STX46 Street	S46DR1	9	306	01093-64 (Y)	
CB 600F Hornet	2007-2008	08747-90	Fork springs		300	245		**
CB 600F Hornet	2009-2012	08724-10	Fork springs		300	267		**
CB 600F Hornet	2009-2012	08724-90	Fork springs		300	267		**
CB 600F Hornet	2009-2012	08724-95	Fork springs		300	267		**
CB 650 F	2014-2016	FKS 210	NIX 22	NIX 22	11		Sold seperately	Spring series 08429-xx
CB 650 F	2014-2016	FSK 105	FSK 100	FSK	01		68004-75	
CB 650 F	2014-2016	HO 428	STX46 Street	S46DR1	9	331	60016-69 (Y)	
CB 750 F	1980-1984	HO 140	STX 36 Twin	S36P	13	364	00480-03 (B)	
CB 750 F	1980-1984	HO 153E	STX 36 Twin	S36E	9	365	00480-03 (B)	
CB 750 KZ	1979-1984	HO 140	STX 36 Twin	S36P	13	364	00480-03 (B)	
CB 750 KZ	1979-1984	HO 153E	STX 36 Twin	S36E	9	365	00480-03 (B)	
CB 750 Seventy	1992-1994	HO 141	STX 36 Twin	S36P	13	356.5	00480-02 (B)	
CB 900	1979-1984	HO 140	STX 36 Twin	S36P	13	364	00480-03 (B)	
CB 900	1979-1984	HO 153E	STX 36 Twin	S36E	9	365	00480-03 (B)	
CB 900F Hornet	2002-2003	08686-85	Fork springs		300	285		
CB 900F Hornet	2002-2006	HO 201	STX46 Street	S46HR1C1S	23	283	01093-74 (Y)	
CB500F	2013-2015	HO 320	STX46 Street	S46DR1	6		61093-39 (Y)	Naked bike version
CB500X	2013-2015	HO 320	STX46 Street	S46DR1	6		61093-39 (Y)	Adventure version
CBF 1000	2006-2009	08757-85	Fork springs		300	357		
CBF 1000	2006-2009	HO 044	STX46 Street	S46DR1	9	293.5	01093-69 (Y)	
CBF 1000	2006-2009	HO 044	STX46 Street	S46DR1	9	293.5	01093-69 (Y)	
CBR 1000 RR	2004-2005	HO 347	STX 46 Hypersport	S46PR1C2LS	30	314 +6/-0	01093-39 (Y)	
CBR 1000 RR	2004-2007	08704-10	Fork springs		300	220		

\* Delivered without spring, must be ordered separately. (B) = Black spring, (C) = Chrome spring, (Y) = Yellow spring



# HONDA ROAD & TRACK PRODUCTS

Model	Year	Part No	P. Family	Type Code	P/C	Length	Spring	Notes
CBR 1000 RR	2004-2007	08704-95	Fork springs		300	220		*
CBR 1000 RR	2006-2007	HO 604	STX 46 Hypersport	S46PR1C2LS	30	314 +6/-0	01093-44 (Y)	
CBR 1000 RR	2008-2011	08672-10	Fork springs		300	235		Wi and w/o ABS for 2009 */**
CBR 1000 RR	2008-2011	08672-95	Fork springs		300	235		Wi and w/o ABS for 2009 **
CBR 1000 RR	2008-2011	FGK 203	NIX 30	NIX30	107	717	*	With and w/o ABS, 08790-xx series spring
CBR 1000 RR	2008-2011	FPK 101	Accessories	Fork piston kit				With and w/o ABS. P/C- See parts price list
CBR 1000 RR	2008-2017	HO 358	TTX RT	T36PR1C1L	23	302 +4/-2	21040-36 (Y)	TTX RT With and w/o ABS
CBR 1000 RR	2008-2017	HO 360	TTX GP	T36PR1C1LS	30	302 +4/-2	21040-36 (Y)	TTX GP. With and w/o ABS
CBR 1000 RR	2012-2014	08405-05	Fork springs		300	230		Wi and w/o ABS ***
CBR 1000 RR	2012-2014	08405-10	Fork springs		300	230		Wi and w/o ABS */***
CBR 1000 RR	2012-2014	08405-11	Fork springs		300	230		Wi and w/o ABS ***
CBR 1000 RR	2012-2014	08405-95	Fork springs		300	230		Wi and w/o ABS ***
CBR 1000 RR	2012-2014	FGK 222	NIX 30	NIX30	107	710	*	With and w/o ABS, 08790-xx series spring
CBR 1000 RR	2012-2016	FKR 116	FKR 100	TTX25S	113		See notes	Comes with 3 different spring rates: 9.5 ,10 & 10.5N/mm (Not 2017 model)
CBR 1000 RR	2012-2016	FGRT 204	FGRT 200	FGRT200	114	710	04744-10	Gold outer tubes. With and w/o ABS
CBR 1000 RR	2017	HO 363	TTX GP	T36PR1C1LB	30	302 +4/-2	21040-36 (Y)	TTX GP. With and w/o ABS
CBR 1000 RR SP/ SP2	2014-2016	FGR 178	FGR 100	TTX25G	113	710	04744-95/-10/-05	For Öhlins fork FL 910 Springs -95,-10,-05 included
CBR 1000 RR SP/ SP2	2014-2017	FKR 109	FKR 100	TTX25S	113		See notes	Comes with 3 different spring rates: 9, 9.5 & 10N/mm (Not 2017 model)
CBR 1100 XX	1997-2000	HO 639	STX 46 Hypersport	S46HR1C1S	23	319	01092-69 (Y)	
CBR 1100 XX	1997-2006	08633-95	Fork springs		300	237		
CBR 1100 XX	2001-2006	HO 518	STX 46 Hypersport	S46HR1C1S	23	319	01092-69 (Y)	
CBR 250R	2011-2012	HO 122	STX 36 Hypersport	S36D	6	297	00281-17 (Y)	
CBR 250R	2011-2015	FKS 201	NIX 22	NIX 22	11			Spring series 08428-xx
CBR 250R	2012-2014	HO 426	STX 36 Hypersport	S36DR1	4	297	60281-11 (Y)	
CBR 250R	2015-2016	FSK 102	FSK 100	FSK	01		68005-70	
CBR 300R	2015-2016	FKS 201	NIX 22	NIX 22	11			Spring series 08428-xx
CBR 300R	2015-2016	FSK 102	FSK 100	FSK	01		68005-70	
CBR 500R	2013-2015	HO 320	STX46 Street	S46DR1	6		61093-39 (Y)	Sport-fairing version
CBR 600 F	1997-1998	08634-85	Fork springs		300	374		
CBR 600 F	2001-2002	08670-95	Fork springs		300	285		
CBR 600 F	2011-2012	08724-10	Fork springs		300	267		**
CBR 600 F	2011-2012	08724-90	Fork springs		300	267		**
CBR 600 F	2011-2012	08724-95	Fork springs		300	267		**
CBR 600 F Sport	2001-2002	08670-95	Fork springs		300	285		
CBR 600 F2	1991-1992	08804-01	Fork springs		300			
CBR 600 F2	1993-1994	08604-80	Fork springs		300	415		
CBR 600 RR	2003-2004	08694-90	Fork springs		300	259		*
CBR 600 RR	2003-2004	08694-95	Fork springs		300	259		
CBR 600 RR	2005-2006	08715-10	Fork springs		300	275		
CBR 600 RR	2005-2006	08715-90	Fork springs		300	275		*
CBR 600 RR	2005-2006	08715-95	Fork springs		300	275		
CBR 600 RR	2005-2006	HO 502	STX 46 Hypersport	S46PR1C2LS	30	310,5 +3/-3	01093-31 (Y)	
CBR 600 RR	2007-2012	08747-10	Fork springs		300	245		**
CBR 600 RR	2007-2012	08747-90	Fork springs		300	245		*/**

\* Delivered without spring, must be ordered separately. (B) = Black spring, (C) = Chrome spring, (Y) = Yellow spring

Model	Year	Part No	P. Family	Type Code	P/C	Length	Spring	Notes
CBR 600 RR	2007-2012	08747-95	Fork springs		300	245		**
CBR 600 RR	2007-2012	FGK 204	NIX 30	NIX30	107	720	*	With and w/o ABS, 08790-xx series spring
CBR 600 RR	2007-2012	FGR 154	FGR 100	TTX25G	113	720	04744-90/-95/-10	Springs -90,-95,-10 included in kit
CBR 600 RR	2007-2012	FPK 106	Accessories	Fork piston kit				With and w/o ABS. P/C- See parts price list
CBR 600 RR	2007-2016	HO 361	TTX GP	T36PR1C1LS	30	295 +6/-0	21040-31 (Y)	TTX GP w/o ABS
CBR 600 RR	2013-2014	08412-10	Fork springs		300	220		***
CBR 600 RR	2013-2014	08412-95	Fork springs		300	220		***
CBR 600 RR	2013-2016	FGK 226	NIX 30	NIX30	107	717	*	Showa, 08790-xx series springs
CBR 600 RR	2013-2017	FKR 110	FKR 100	TTX25S	113		See notes	Comes with 3 different spring rates: 9, 9.5 & 10N/mm
CBR 650F	2014-2016	HO 428	STX46 Street	S46DR1	9		60016-69 (Y)	Sport-fairing version
CBR 900 RR	1994-1999	08635-85	Fork springs		300	250		
CBR 900 RR	1994-1999	08635-90	Fork springs		300	250		
CBR 900 RR	2000-2001	08664-95	Fork springs		300	230		
CBR 900 RR	2002-2003	08665-85	Fork springs		300	250		*
CBR 900 RR	2002-2003	08665-90	Fork springs		300	250		
CBR 900 RR	2002-2003	08665-95	Fork springs		300	250		
CBR 929	2000-2001	08664-95	Fork springs		300	230		
CBR 954	2002-2003	08665-85	Fork springs		300	250		*
CBR 954	2002-2003	08665-90	Fork springs		300	250		
CBR 954	2002-2003	08665-95	Fork springs		300	250		
CBX 1000	1978-1981	HO 140	STX 36 Twin	S36P	13	364	00480-03 (B)	
CBX 1000	1978-1981	HO 153E	STX 36 Twin	S36E	9	365	00480-03 (B)	
CRF 250L	2015-2016	HO 429	STX 46 Adventure	S46HR1C1	11	396	60011-36 (Y)	
CRF 1000L Africa Twin	2016	HO 646	STX 46 Adventure	S46PR1C1S	23	395	20580-31	Optional spring 20580-36 (105N/mm)
Foresight FEZ 250	1998-2002	HO 839	STX 36 Hypersport	S36E	5	400	00480-11 (Y)	
Forza	2014	HO 430	STX 36 Scooter	S36PR1	11	400	60480-01 (Y)	
MSX 125	2011-2016	FDK 111	FDK 100	Damping kit	1		68000-04 - 5.5N/mm	Optional Springs 68500-02 - 4.5 N/mm 68500-05 - 6.0 N/mm
Mounting tool FDK 111		60000-01	Accessories					P/C- See parts price list
MSX 125	2013-2015	HO 424	STX 36 Scooter	S36PR1C1	6	244	60281-07 (Y)	Optional spring 60281-08/100N/mm
MSX 125	2016	HO 611	STX 36 Scooter	S36HR1C1	9	244		
NC 700 X	2012-2013	08409-85	Fork springs		300	390		
NC 700 X	2012-2013	HO 070	STX46 Street	S46DR1	9	312	01095-54 (Y)	
NSR 250 R-SE	1990-1993	HO 206	STX 46 Hypersport	S46HR1C1L	17	302 +6/-6	01093-49 (Y)	
NSR 250 R-SP	1994-2000	HO 206	STX 46 Hypersport	S46HR1C1L	17	302 +6/-6	01093-49 (Y)	
NSR Mini		HO 890	TTX 36	T36PR1C1L	25	218 +4/-2	21140-71 (Y)	
PCX 125	2014-2016	HO 427	STX 36 Scooter	S36PC1	11	313	60281-19 (Y)	
PCX 150	2012-2016	HO 427	STX 36 Scooter	S36PC1	11	313	60281-19 (Y)	
RC 51	2000-2006	08662-10	Fork springs		300	255		
RC 51	2002-2006	HO 204	STX 46 Hypersport	S46PR1C2LS	30	326 +10/-2	01092-29 (Y)	
VFR 1200 F	2010-2014	HO 013	STX 46 Adventure	S46HR1C1S	23	321.5	01092-74 (Y)	
VFR 750 F	1990-1991	08604-80	Fork springs		300	415		
VFR 750 F	1994-1997	08837-01	Fork springs		300			
VFR 800 FI	1998-2001	08644-80	Fork springs		300	380		
VFR 800 FI	2002-2005	08687-85	Fork springs		300	335		
VFR 800 FI	2002-2012	HO 605	STX 46 Adventure	S46HR1C1LS	24	317,5 +6/-0	01092-69 (Y)	
VFR 800 X Cross-runner	2011-2012	08668-85	Fork springs		300	320		**

\* Delivered without spring, must be ordered separately. (B) = Black spring, (C) = Chrome spring, (Y) = Yellow spring



# HONDA ROAD & TRACK PRODUCTS

Model	Year	Part No	P. Family	Type Code	P/C	Length	Spring	Notes
VTR 1000 F	1997-2006	08805-01	Fork springs		300			
VTR 1000 F	1997-2007	HO 701	STX46 Street	S46HR1C1S	23	346	01092-64 (Y)	
VTR 1000 SP1	2000-2001	08662-10	Fork springs		300	255		
VTR 1000 SP1	2000-2001	HO 204	STX 46 Hypersport	S46PR1C2LS	30	326 +10/-2	01092-29 (Y)	
VTR 1000 SP2	2002-2006	08662-10	Fork springs		300	255		
VTR 1000 SP2	2002-2006	HO 204	STX 46 Hypersport	S46PR1C2LS	30	326 +10/-2	01092-29 (Y)	
VTR 250	2009	HO 944	STX 36 Hypersport	S36D	3	295	00281-36 (Y)	
XL 1000 V Varadero	1999-2000	08655-70	Fork springs		300	430		
XL 1000 V Varadero	2003-2009	HO 045	STX 46 Adventure	S46DR1	9	334	01095-69 (Y)	
XL 1000 V Varadero	2003-2012	08725-80	Fork springs		300	485		ABS
XL 1000 V Varadero	2003-2012	08725-85	Fork springs		300	485		ABS
XL 1000 V Varadero	2003-2012	HO 045	STX 46 Adventure	S46DR1	9	334	01095-69 (Y)	
XL 1000 V Varadero	2003-2012	HO 533	STX 46 Adventure	S46HR1C1S	23	334	01095-69 (Y)	
XR750 Africa Twin	1993-2002	HO 645	STX 46 Adventure	S46HR1C1S	23	380	01096-26 (Y)	



# HONDA MX & ENDURO PRODUCTS

Model	Year	Part No	P. Family	Type Code	P/C	Length	Spring	Notes
CRF 250R	2014-2016	HO 1693	TTX 44	T44PR1C2W	225	479		06310- series spring
CRF 250R	2014-2017	HO 1793	TTX Flow	T46PR1C1W	225	479		06310- series spring
CRF 250R	2015-2017	FGHO 1793	TTX 22	TTX Cartridge kit	245			08431- series springs
CRF 250R	2016-2017	FGHO 1796	RXF 48	RXF 48	1155	940	02428-47	08765-series springs
CRF 450R	2013-2016	HO 1694	TTX 44	T44PR1C2W	225	479		06310- series spring
CRF 450R	2016-2017	FGHO 1796	RXF 48	RXF 48	1155	940	02428-47	08765-series springs
CRF 450R	2017	FGHO 1794	TTX 22	TTX Cartridge kit	245			
CRF 450R	2017	HO 1794	TTX Flow	T46PR1C1W	225			06310- series spring



# HUSQVARNA MX & ENDURO PRODUCTS

Model	Year	Part No	P. Family	Type Code	P/C	Length	Spring	Notes
85 SX 14"/17"	2013-2017	FGKT 1790	STX 22	Cartridge kit	106			08789-series spring
85 SX 16"/19"	2013-2017	FGKT 1790	STX 22	Cartridge kit	106			08789-series spring
FC 250/350	2016-2017	KT 1793	TTX Flow	T46PR1C1W	225	477		06310- series spring
FC 250/350	2017	FGKT 1793	TTX 22	TTX Cartridge kit	245			08765- series spring
FC 250/350/450	2016-2017	FGKT 1796	RXF 48	RXF 48	1155	950	02428-47	08765- series spring
FC 450	2016-2017	KT 1794	TTX Flow	T46PR1C1W	225	477		06310- series spring
FC 450	2017	FGKT 1794	TTX 22	TTX Cartridge kit	245			08765- series spring
FC/TC All models	2014-2016	SD 535	Steering Damper 2.1	Mounting Kit	1			Mounting kit to be used with SD 502
FE 250/350/450/501	2017	FGKT 1784	TTX 22	TTX Cartridge kit	245			08765- series spring
FE 250/350/450/501	2017	FGKT 1786	RXF 48	RXF 48	1155	928	02428-45	08765- series spring
FE 250/350/450/501	2017	HA 1784	TTX Flow	T46PR1C1W	225	478		06310- series spring
TC 125	2016-2017	KT 1792	TTX Flow	T46PR1C1W	225	477		06310- series spring
TC 125/250	2016-2017	FGKT 1796	RXF 48	RXF 48	1155	950	02428-47	08765- series spring
TC 125/250	2017	FGKT 1793	TTX 22	TTX Cartridge kit	245			08765- series spring
TC 250	2017	KT 1792	TTX Flow	T46PR1C1W	225	477		06310- series spring
TC 85 High/Low	2014-2016	KT 1690	STX 46 MX	S46PR1C2Q1W	225	397	*	00698-series spring
TC 85 High/Low	2014-2017	FGKT 1790	STX 22	Cartridge kit	106			08789-series spring
TC 85 High/Low	2014-2017	KT 1790	STX 46 MX	S46PR1C2Q1W	225	397	*	00698-series spring

\* Delivered without spring, must be ordered separately. (B) = Black spring, (C) = Chrome spring, (Y) = Yellow spring



# HUSQVARNA MX & ENDURO PRODUCTS

Model	Year	Part No	P. Family	Type Code	P/C	Length	Spring	Notes
TX 125 / TE 250/300	2017	FGKT 1784	TTX 22	TTX Cartridge kit	245			08765- series spring
TX 125 / TE 250/300	2017	FGKT 1786	RXF 48	RXF 48	1155	928	02428-45	08765- series spring
TX 125 / TE 250/300	2017	HA 1784	TTX Flow	T46PR1C1W	225	478		06310- series spring



# INDIAN ROAD & TRACK PRODUCTS

Model	Year	Part No	P. Family	Type Code	P/C	Length	Spring	Notes
Scout	2015-2016	08623-70	Fork springs		300	380mm		
Scout	2015-2016	08623-80	Fork springs		300	380mm		
Scout	2015-2016	FSK 115	FSK 100	Top Cap spring kit	01			For fork with M37 topcap thread, M35 topcap thread also exists on 2015-2016 models.
Scout	2015-2016	IN 524	STX 36 Twin	S36PR1C1L	20	293 +6/-4	60281-30 (B)	



# KAWASAKI ROAD & TRACK PRODUCTS

Model	Year	Part No	P. Family	Type Code	P/C	Length	Spring	Notes
ER-6 N/F	2006-2008	08705-85	Fork springs		300	280		
ER-6 N/F	2009-2011	08778-90	Fork springs		300	293		**
ER-6 N/F	2009-2014	KA 037	STX46 Street	S46DR1	9	282	01093-74 (Y)	Low version
ER-6 N/F	2009-2014	KA 906	STX46 Street	S46DR1	9	290	01093-69 (Y)	With and w/o ABS
ER-6 N/F	2012-2014	08408-85	Fork springs		300	300		
ER-6 N/F	2012-2016	FKS 209	NIX 22	NIX 22	11		Sold separately	Spring series 08429-xx
ER-6 N/F	2015-2016	FSK 107	FSK 100	FSK	01		68004-85	
GPZ 1100	1995-1996	08820-01	Fork springs		300			ABS
GPZ 500	1980-1985	KA 143	STX 36 Twin	S36P	13	344	00480-02 (B)	
GPZ 900 R	1984-1989	08460-85	Fork springs		300	460		
GPZ 900 R	1984-1998	KA 449	STX 46 Hypersport	S46HR1C1LS	24	310,5 +12/-0	01093-21 (Y)	
GPZ 900 R	1984-1998	KA 543	STX46 Street	S46ER1S	16	310	01091-21 (Y)	
GPZ 900 R	1990-1998	08841-01	Fork springs		300			
GPZ 900 R	1999-2000	08669-90	Fork springs		300	440		
GPZ 900 R	1999-2000	KA 914	STX 46 Hypersport	S46HR1C1LS	24	315 +12/-0	01091-26 (Y)	
GPZ 900 Racing	1984-1998	KA 634	STX 46 Hypersport	S46HR1C1LS	24	325 +12/-0	01091-21 (Y)	
GPZ 900 Racing	1999-2000	KA 203	STX 46 Hypersport	S46HR1C1LS	24	330 +10/-2	01091-29 (Y)	17 inch rear wheel
GTR 1400	2008-2014	KA 109	STX46 Street	S46PR1C1S	25	355.5	01095-49 (Y)	
H2	2015-2016	FGRT 221	FGRT 200	FGRT200	114			Gold outer tubes.
H2	2015-2016	KA 363	TTX GP	T36PR1C1LS	30			
KLX 250	2013-2014	KA 426	STX46 Street	S46PR1C1	9	425	60012-11 (Y)	
KSR 110		KA 607	STX 36 Hypersport	S36HR1C1L	12	235 +7/-3	00282-05 (Y)	
Ninja 250(R)	2009-2011	KA 840	STX 36 Hypersport	S36HR1C1L	15	320 +6/-2	00281-57 (Y)	
Ninja 250(R)	2013-2016	FSK 101	FSK 100	FSK	01		68005-70	This product fits Ninja 250/300 equipped with the clip-on handlebars only. However if your motorbike is equipped by the standard handlebars, it still be possible to replace the spring only.
Ninja 250(R)	2013-2016	KA 841	STX 36 Hypersport	S36HR1C1L	15	320 +6/-2	00281-57 (Y)	
Ninja 250(R) (EX250)	2013-2016	FKS 202	NIX 22	NIX 22	11			This product fits Ninja 250/300 equipped with the clip-on handlebars only. Spring series 08428-xx

\* Delivered without spring, must be ordered separately. (B) = Black spring, (C) = Chrome spring, (Y) = Yellow spring





# KAWASAKI ROAD & TRACK PRODUCTS

Model	Year	Part No	P. Family	Type Code	P/C	Length	Spring	Notes
Ninja 300 (EX300)	2013-2016	FKS 202	NIX 22	NIX 22	11			This product fits Ninja 250/300 equipped with the clip-on handlebars only. Spring series 08428-xx
Ninja 300 (EX300)	2013-2016	FSK 101	FSK 100	Top Cap spring kit	01		68005-70	This product fits Ninja 250/300 equipped with the clip-on handlebars only. However if your motorbike is equipped by the standard handlebars, it still be possible to replace the spring only.
Ninja 300 (EX300)	2013-2016	KA 841	STX 36 Hypersport	S36HR1C1L	15		00281-57 (Y)	
Ninja 400(R)	2010	KA 041	STX 36 Hypersport	S36D	5	284	00281-36 (Y)	
Street Line		KA 216	STX 36 Twin	S36E	9	347	00480-02 (B)	
Street Line		KA 756	STX 36 Twin	S36DR1L	13	347 +10/-0	00480-02 (B)	
Universal	All	KA 963	STX 36 Blackline	S36DR1L	72	347 +10/0	00480-02 (B)	
W 650	1999-2009	KA 224	STX 36 Twin	S36D	9	325	00360-04 (B)	
W400/650	1999-2003	KA 632	STX 36 Twin	S36E	9	296	00360-05 (B)	Short version
Versys 650	2006-2014	08777-90	Fork springs		300	293		**
Versys 650	2006-2014	KA 907	STX46 Street	S46DR1	9	301.5	01093-69 (Y)	With and w/o ABS
VN 2000	2004-2009	08860-01	Fork springs		300			
VN 900 Classic	2006-2009	08858-01	Fork springs		300			
VN 900 Custom	2007-2009	08859-01	Fork springs		300			
Z 1000	1977-1985	KA 140	STX 36 Twin	S36P	13	347	00480-03 (B)	
Z 1000	2007-2013	08754-95	Fork springs		300	272		**
Z 1000	2010-2013	KA 010	STX46 Street	S46DR1S	16	356.5	01092-26 (Y)	
Z 1000	2014-2016	FGK 232	NIX 30	NIX30	107	727	*	08790-xx series spring
Z 1000	2014-2016	KA 434	STX46 Street	S46DR1S	16	351	01092-26 (Y)	
Z 1000 SX	2011-2014	KA 110	STX46 Street	S46DR1S	16	356	01091-34 (Y)	
Z 400 J	1980-1987	KA 143	STX 36 Twin	S36P	13	344	00480-02 (B)	
Z 400 J	1980-1987	KA 747	STX 36 Twin	S36PR1C1L	30	344 +10/-0	00480-12 (Y)	
Z 500	1980-1985	KA 143	STX 36 Twin	S36P	13	344	00480-02 (B)	
Z 500	1980-1985	KA 747	STX 36 Twin	S36PR1C1L	30	344 +10/-0	00480-12 (Y)	
Z 500 GP	1980-1985	KA 747	STX 36 Twin	S36PR1C1L	30	344 +10/-0	00480-12 (Y)	
Z 650	2017	FKS 209	NIX 22	NIX 22	11		See notes	Sold sep. 08429-xx spring series
Z 650	2017	KA 736	STX 46 Street	S46DR1	9			Low version
Z 750	2004-2005	08705-90	Fork springs		300	280		
Z 750	2004-2006	KA 044	STX46 Street	S46DR1	9	328	01091-31 (Y)	
Z 750	2007-2008	KA 009	STX46 Street	S46DR1	9	332	01096-31 (Y)	
Z 750 GP	1982-1986	KA 140	STX 36 Twin	S36P	13	347	00480-03 (B)	
Z 750 L	1982-1985	KA 143	STX 36 Twin	S36P	13	344	00480-02 (B)	
Z 750 L	1982-1985	KA 747	STX 36 Twin	S36PR1C1L	30	344 +10/-0	00480-12 (Y)	
Z 750 R	2011-2012	08724-10	Fork springs		300	267		**
Z 750 R	2011-2012	08724-90	Fork springs		300	267		**
Z 750 R	2011-2012	08724-95	Fork springs		300	267		**
Z 750 S	2005	08718-90	Fork springs		300	320		
Z 750 S	2005	KA 044	STX46 Street	S46DR1	9	328	01091-31 (Y)	
Z 750 Sport	1982-1985	KA 143	STX 36 Twin	S36P	13	344	00480-02 (B)	
Z 750 Sport	1982-1985	KA 747	STX 36 Twin	S36PR1C1L	30	344 +10/-0	00480-12 (Y)	
Z 800	2013-2016	KA 020	STX46 Street	S46PR1C1	16	334	60016-31 (Y)	
Z 900	1973-1976	KA 140	STX 36 Twin	S36P	13	347	00480-03 (B)	
Z 900	2017	FKS 502	NIX 30	NIX 30	16		See notes	Sold separately 08423-xx spring series
Z 900	2017	KA 737	STX 46 Street	S46DR1LS	17			
Z125	2016	KA 610	STX 36 Scooter	S36PC1	6	239	60281-23	Comes fitted with 145N/mm spring. Optional 160N/mm included in the box.

\* Delivered without spring, must be ordered separately. (B) = Black spring, (C) = Chrome spring, (Y) = Yellow spring



# KAWASAKI ROAD & TRACK PRODUCTS

Model	Year	Part No	P. Family	Type Code	P/C	Length	Spring	Notes
Zephyr 1100	1992-2001	KA 140	STX 36 Twin	S36P	13	347	00480-03 (B)	
Zephyr 1100	1992-2001	KA 446	STX 36 Twin	S36PR1C1L	30	347 +10/-0	00480-23 (B)	
Zephyr 1100	All	KA 965	STX 36 Blackline	S36PR1C1L	73	347 +10/0	00480-23 (B)	
Zephyr 400	1991-1999	KA 143	STX 36 Twin	S36P	13	344	00480-02 (B)	
Zephyr 400	1991-1999	KA 747	STX 36 Twin	S36PR1C1L	30	344 +10/-0	00480-12 (Y)	
Zephyr 750	1991-1999	KA 143	STX 36 Twin	S36P	13	344	00480-02 (B)	
Zephyr 750	1991-1999	KA 747	STX 36 Twin	S36PR1C1L	30	344 +10/-0	00480-12 (Y)	
ZRX 1100	1997-1999	08622-80	Fork springs		300	400		
ZRX 1100	1997-1999	HO 417	STX 36 Twin	S36PR1C1L	30	365 +8/-2	00480-33 (Y)	
ZRX 1100	All	HO 963	STX 36 Blackline	S36PR1C1L	73	365 +7/-3	00480-23 (B)	
ZRX 1200	2001-2005	KA 416	STX 36 Twin	S36PR1C1L	30	365 +8/-2	00480-23 (B)	
ZRX 1200	2001-2005	KA 417	STX 36 Twin	S36PR1C1L	30	365 +8/-2	00480-33 (Y)	
ZRX 1200	2002	08691-90	Fork springs		300	285		
ZRX 1200	All	HO 963	STX 36 Blackline	S36PR1C1L	73	365 +7/-3	00480-23 (B)	
ZRX 1200	All	KA 964	STX 36 Blackline	S36PR1C1L	73	377 +6/-4	00480-23 (B)	
ZRX 400	1994-1996	KA 141	STX 36 Hypersport	S36P	13	360.5	00480-02 (B)	
ZX 10 R	2004-2005	08702-10	Fork springs		300	250		
ZX 10 R	2004-2005	KA 345	STX 46 Hypersport	S46PR1C2LS	30	338 +7/-5	01091-31 (Y)	
ZX 10 R	2008-2009	08759-10	Fork springs		300	235		
ZX 10 R	2008-2010	FGK 205	NIX 30	NIX30	107	762.5	*	08790-xx series spring
ZX 10 R	2008-2010	FPK 105	Accessories	Fork piston kit				P/C- See parts price list
ZX 10 R	2008-2016	SD 021	Steering Damper	SD R&T	40			
ZX 10 R	2011-2015	FKR 111	FKR 100	TTX25S	113		See notes	Comes with 3 different spring rates: 9.5 ,10 & 10.5N/mm
ZX 10 R	2011-2012	KA 035	TTX 36 EC Hyper-sport	T36PR4C4LS	34	309+6/-0	21040-39 (Y)	EC-type
ZX 10 R	2011-2015	08779-10	Fork springs		300	243		***
ZX 10 R	2011-2015	08779-11	Fork springs		300	243		***
ZX 10 R	2011-2015	08779-95	Fork springs		300	243		***
ZX 10 R	2011-2015	FGK 216	NIX 30	NIX30	107	739	*	08790-xx series spring
ZX 10 R	2011-2015	FGR 166	FGR 100	TTX25G	113	739	04744-95/-10/-05	Springs -95,-10,-05 included in kit
ZX 10 R	2011-2015	FGRT 201	FGRT 200	FGRT200	114	740	04744-10	Gold outer tubes.
ZX 10 R	2011-2015	KA 358	TTX RT	T36PR1C1L	23	309+6/-0	21040-39 (Y)	
ZX 10 R	2011-2015	KA 360	TTX GP	T36PR1C1LS	30	309+6/-0	21040-39 (Y)	TTX GP
ZX 10 R	2013-2015	KA 040	TTX 36 EC Hyper-sport	T36PR4C4LS	34	309+6/-0	21040-39 (Y)	EC-type
ZX 10 R	2013-2016	21740-03 (SCU)	Accessories					Electronic Steering Damper ECU upgrade. Recommended for race use only. P/C- See parts price list
ZX 10 R	2016	FKR 105	FKR 100	TTX25S	113		See notes	Comes with 3 different spring rates: 9, 9.5 & 10N/mm
ZX 10 R	2016	KA 364	TTX GP	T36PR1C1LS	30	309 +4/-2	21040-29 (Y)	
ZX 12 R	2000-2005	08667-95	Fork springs		300	250		
ZX 12 R	2002-2005	KA 209	STX 46 Hypersport	S46PR1C1LS	26	338 +12/-0	01092-34 (Y)	
ZX 6 R	1995-1997	08390-85	Fork springs		300	390		
ZX 6 R	2003	08693-10	Fork springs		300	258		
ZX 6 R	2003	08693-90	Fork springs		300	258		
ZX 6 R	2004	08701-80	Fork springs		300	250		*
ZX 6 R	2005-2006	08714-10	Fork springs		300	250		
ZX 6 R	2005-2006	08714-95	Fork springs		300	250		
ZX 6 R	2007-2008	08748-95	Fork springs		300	260		**
ZX 6 R	2009-2016	08773-10	Fork springs		300	235		***
ZX 6 R	2009-2016	08773-90	Fork springs		300	235		***

\* Delivered without spring, must be ordered separately. (B) = Black spring, (C) = Chrome spring, (Y) = Yellow spring



# KAWASAKI ROAD & TRACK PRODUCTS

Model	Year	Part No	P. Family	Type Code	P/C	Length	Spring	Notes
ZX 6 R	2009-2016	FGK 206	NIX 30	NIX30	107	746.5	*	08790-xx series spring
ZX 6 R	2009-2017	FKR 107	FKR 100	TTX25S	113		See notes	Comes with 3 different spring rates: 9, 9.5 & 10N/mm (Not 2017 model)
ZX 6 R	2009-2016	SD 021	Steering Damper	SD R&T	40			
ZX 6 R (600cc)	2009-2016	KA 361	TTX GP	T36PR1C1LS	30	341 +2/-4	21040-31 (Y)	TTX GP
ZX 6 R (636)	2013-2016	08413-10	Fork springs		300	255		***
ZX 6 R (636)	2013-2016	08413-95	Fork springs		300	255		***
ZX 6 R (636)	2013-2016	FGK 227	NIX 30	NIX30	107	746.5	*	08790-xx series spring
ZX 6 R (636)	2013-2016	FGR 177	FGR 100	TTX25G	113	746.5	04744-90/-95/-10	Springs -90,-95,-10 included in kit
ZX 6 R (636)	2013-2016	SD 042	Steering Damper	SD R&T	46			
ZX 6 R (636cc)	2013-2016	KA 362	TTX GP	T36PR1C1LS	30	341 +2/-4	21040-36 (Y)	TTX GP
ZX 6 R/ ZX 6 RR	2004	08701-10	Fork springs		300	250		
ZX 6 R/ ZX 6 RR	2004	08701-85	Fork springs		300	250		
ZX 6 R/ ZX 6 RR	2004	08701-90	Fork springs		300	250		
ZX 6 RR	2003	08693-10	Fork springs		300	258		
ZX 6 RR	2003	08693-90	Fork springs		300	258		*
ZX 6 RR	2004	08701-80	Fork springs		300	250		*
ZX 6 RR	2005-2006	08713-90	Fork springs		300	299		
ZX 7 R	1996-2001	08646-95	Fork springs		300	330		
ZX 9 R	1999	08689-10	Fork springs		300	270		
ZZR 1100	1993-1999	08606-10	Fork springs		300	294		
ZZR 1100	1993-1999	08606-90	Fork springs		300	294		
ZZR 1100	1993-1999	KA 309	STX 46 Hypersport	S46HR1C1S	23	338	01096-29 (Y)	
ZZR 1400	2006-2013	FGRT 207	FGRT 200	FGRT200	114	755	04744-95	Gold outer tubes.
ZZR 1400	2006-2014	KA 046	STX46 Street	S46DR1	9	330	01091-31 (Y)	
ZZR 1400	2006-2014	KA 046	STX46 Street	S46DR1	9	330	01091-31 (Y)	
ZZR 1400	2006-2014	KA 128	TTX 36	T39PR1C1S	29	330	01092-41 (Y)	
ZZR 1400	2006-2014	KA 544	STX 46 Hypersport	S46HR1C1LS	24	329 +7/-5	01091-31 (Y)	
ZZR 1400	2008-2011	08768-95	Fork springs		300	260		**
ZZR 1400	2012-2013	08744-05	Fork springs		300	240		**
ZZR 1400	2012-2013	08744-10	Fork springs		300	240		**
ZZR 1400	2012-2013	08744-95	Fork springs		300	240		**
ZZR 600	1990-1992	08603-80	Fork springs		300	415		
ZZR 600	1993-1994	08619-80	Fork springs		300	285		
ZZR 600	1993-1994	08619-85	Fork springs		300	285		



# KAWASAKI MX & ENDURO PRODUCTS

Model	Year	Part No	P. Family	Type Code	P/C	Length	Spring	Notes
KX 250F	2013-2017	FGKA 1793	TTX 22	TTX Cartridge kit	245			08765- series springs
KX 250F	2013-2017	FGKA 1796	RXF 48	RXF 48	1155	946	02428-47	08765- series springs
KX 250F	2015	FGKA 1593	TTX 22	TTX Cartridge kit	245	942	*	08765-series spring
KX 250F	2017	KA 1794	TTX Flow	T46PR1C1W	225	486		06310- spring series
KX 450F	2009-2017	FGKA 1796	RXF 48	RXF 48	1155	946	02428-49	08765- series springs
KX 450F	2015-2017	FGKA 1794	TTX 22	TTX Cartridge kit	245			08431- series springs
KX 450F	2017	KA 1794	TTX Flow	T46PR1C1W	225	486		06310- spring series
KX 85	2001-2013	KA 590	STX 46 MX	S46PR1C2W	16	380		
KX 85	2009-2017	FGKA 1690	STX 22	Cartridge kit	106			08794- spring series
KX 85	2010-2017	KA 1790	STX 46 MX	S46PR1C2W	19	378	*	00698- series spring

\* Delivered without spring, must be ordered separately. (B) = Black spring, (C) = Chrome spring, (Y) = Yellow spring



# KTM ROAD & TRACK PRODUCTS

Model	Year	Part No	P. Family	Type Code	P/C	Length	Spring	Notes
125 Duke	2013	KT 301	STX46 Street	S46DR1	9	300	01091-34 (Y)	
1290 Super Duke	2014-2015	KT 302	TTX 36	T39PR1C1B	28	384	01092-69 (Y)	
200 Duke	2013	KT 301	STX46 Street	S46DR1	9	300	01091-34 (Y)	
390 Duke	2014	KT 301	STX46 Street	S46DR1	9	300	01091-34 (Y)	
690 Enduro R	2009-2011	KT 122	STX 46 Adventure	S46PR1C1	17	406	00580-19 (Y)	
RC 390	2015-2016	KT 303	STX 46 Hypersport	S46HR1C1L	16	300 +9/-3	61091-36 (Y)	
RC 8	2008-2014	08776-95	Fork springs		300	250		**



# KTM MX & ENDURO PRODUCTS

Model	Year	Part No	P. Family	Type Code	P/C	Length	Spring	Notes
125/150 SX	2016-2017	KT 1792	TTX Flow	T46PR1C1W	225	477		06310- spring series
125/150 SX Europe	2016-2017	FGKT 1793	TTX 22	TTX Cartridge kit	245			08765- series springs
125/150/250 SX	2016-2017	FGKT 1796	RXF 48	RXF 48	1155	950	02428-47	08765- series springs
125/150/250 SX USA/CAN/AUS/ NZ/MEX	2017	FGKT 1793	TTX 22	TTX Cartridge kit	245			08765- series springs
150/250/300 XC-W USA/CAN/AUS/ NZ/MEX	2017	FGKT 1784	TTX 22	TTX Cartridge kit	245			08765- series springs
150/250/300 XC-W USA/CAN/AUS/ NZ/MEX	2017	FGKT 1786	RXF 48	RXF 48	1155	928	02428-45	08765- series springs
150/250/300 XC-W USA/CAN/AUS/ NZ/MEX	2017	KT 1784	TTX Flow	T46PR1C1Q1W	245	415		06320- spring series
250 SX	2017	KT 1792	TTX Flow	T46PR1C1W	225	477		06310- spring series
250 SX Europe	2017	FGKT 1793	TTX 22	TTX Cartridge kit	245			08765- series springs
250 SX Europe	2017	FGKT 1793	TTX 22	TTX Cartridge kit	245			08765- series springs
250/300 EXC	2017	FGKT 1784	TTX 22	TTX Cartridge kit	245			08765- series springs
250/300 EXC	2017	FGKT 1786	RXF 48	RXF 48	1155	928	02428-45	08765- series springs
250/300 EXC	2017	KT 1784	TTX Flow	T46PR1C1Q1W	245	415		06320- spring series
250/300 EXC Six Days Europe	2017	FGKT 1784	TTX 22	TTX Cartridge kit	245			08765- series springs
250/300 EXC Six Days Europe	2017	FGKT 1786	RXF 48	RXF 48	1155	928	02428-45	08765- series springs
250/300 EXC Six Days Europe	2017	KT 1784	TTX Flow	T46PR1C1Q1W	245	415		06320- spring series
250/300 XC USA/CAN/AUS/NZ/ MEX	2017	FGKT 1793	TTX 22	TTX Cartridge kit	245			08765- series springs
250/300 XC USA/CAN/AUS/NZ/ MEX	2017	FGKT 1796	RXF 48	RXF 48	1155	950	02428-47	08765- series springs
250/300 XC USA/CAN/AUS/NZ/ MEX	2017	KT 1793	TTX Flow	T46PR1C1W	225	477		06310- series spring
250/350 EXC-F	2017	FGKT 1784	TTX 22	TTX Cartridge kit	245			08765- series springs
250/350 EXC-F	2017	FGKT 1786	RXF 48	RXF 48	1155	928	02428-45	08765- series springs
250/350 EXC-F	2017	KT 1784	TTX Flow	T46PR1C1Q1W	245	415		06320- spring series
250/350 EXC-F Six Days Europe	2017	FGKT 1784	TTX 22	TTX Cartridge kit	245			08765- series springs
250/350 EXC-F Six Days Europe	2017	FGKT 1786	RXF 48	RXF 48	1155	928	02428-45	08765- series springs
250/350 EXC-F Six Days Europe	2017	KT 1784	TTX Flow	T46PR1C1Q1W	245	415		06320- spring series
250/350 SX-F	2016-2017	KT 1793	TTX Flow	T46PR1C1W	225	477		06310- series spring
250/350 SX-F Europé	2016-2017	FGKT 1793	TTX 22	TTX Cartridge kit	245			08765- series springs
250/350 SX-F USA/CAN/AUS/NZ/ MEX	2017	FGKT 1793	TTX 22	TTX Cartridge kit	245			08765- series springs
250/350/450 SX-F	2016-2017	FGKT 1796	RXF 48	RXF 48	1155	950	02428-47	08765- series springs
250/350/450 XC-F USA/CAN/AUS/ NZ/MEX	2016-2017	KT 1793	TTX Flow	T46PR1C1W	225	477		06310- series spring
250/350/450 XC-F USA/CAN/AUS/ NZ/MEX	2017	FGKT 1793	TTX 22	TTX Cartridge kit	245			08765- series springs
250/350/450 XC-F USA/CAN/AUS/ NZ/MEX	2017	FGKT 1796	RXF 48	RXF 48	1155	950	02428-47	08765- series springs
450 SX-F	2016-2017	KT 1794	TTX Flow	T46PR1C1W	225	477		06310- series spring

\* Delivered without spring, must be ordered separately. (B) = Black spring, (C) = Chrome spring, (Y) = Yellow spring

## ÖHLINS | KTM MX & ENDURO PRODUCTS

Model	Year	Part No	P. Family	Type Code	P/C	Length	Spring	Notes
450 SX-F Europé	2016-2017	FGKT 1794	TTX 22	TTX Cartridge kit	245			08765- series springs
450 SX-F USA/CAN/AUS/NZ/MEX	2017	FGKT 1794	TTX 22	TTX Cartridge kit	245			08765- series springs
450/500 EXC-F	2017	FGKT 1784	TTX 22	TTX Cartridge kit	245			08765- series springs
450/500 EXC-F	2017	FGKT 1786	RXF 48	RXF 48	1155	928	02428-45	08765- series springs
450/500 EXC-F	2017	KT 1784	TTX Flow	T46PR1C1Q1W	245	415		06320- spring series
450/500 EXC-F Six Days Europe	2017	FGKT 1784	TTX 22	TTX Cartridge kit	245			08765- series springs
450/500 EXC-F Six Days Europe	2017	FGKT 1786	RXF 48	RXF 48	1155	928	02428-45	08765- series springs
450/500 EXC-F Six Days Europe	2017	KT 1784	TTX Flow	T46PR1C1Q1W	245	415		06320- spring series
50 SX	2012-2017	KT 1397	TTX 30	T30PR1C1W	15	276	*	00281- series spring
65 SX	2012-2015	KT 1398	TTX 30	T30PR1C1W	15	348	*	00181- series spring
65 SX	2016-2017	KT 1698	TTX 30	T30PR1C1W	15	348	*	00181- series springs
85 SX	2013-2016	KT 1690	STX 46 MX	S46PR1C2Q1W	225	397	*	PDS, 00698-series spring
85 SX	2013-2017	FGKT 1790	STX 22	Cartridge kit	106			08789-series springs
85 SX	2013-2017	KT 1790	STX 46 MX	S46PR1C2Q1W	225	397	*	PDS, 00698-series spring
85 SX 14"/17"	2013-2017	FGKT 1790	STX 22	Cartridge kit	106			08789-series springs
85 SX 16"/19"	2013-2017	FGKT 1790	STX 22	Cartridge kit	106			08789-series springs

## ÖHLINS | SHERCO MX & ENDURO PRODUCTS

Model	Year	Part No	P. Family	Type Code	P/C	Length	Spring	Notes
250/300 SE	2016-2017	FGSH 1784	TTX 22	TTX Cartridge kit	245			08765- series springs
250/300 SE	2016-2017	FGSH 1786	RXF 48	RXF 48	1155			08765- series springs
250/300 SE	2016-2017	SH 1784	TTX Flow	T46PR1C1W	225	480		06310- spring series
250/300 SE-R	2016-2017	FGSH 1784	TTX 22	TTX Cartridge kit	245			08765- series springs
250/300 SE-R	2016-2017	FGSH 1786	RXF 48	RXF 48	1155			08765- series springs
250/300 SE-R	2016-2017	SH 1784	TTX Flow	T46PR1C1W	225	480		06310- spring series
250/350/450 SEF	2016-2017	FGSH 1784	TTX 22	TTX Cartridge kit	245			08765- series springs
250/350/450 SEF	2016-2017	FGSH 1786	RXF 48	RXF 48	1155			08765- series springs
250/350/450 SEF	2016-2017	SH 1784	TTX Flow	T46PR1C1W	225	480		06310- spring series
250/350/450 SEF-R	2016-2017	FGSH 1784	TTX 22	TTX Cartridge kit	245			08765- series springs
250/350/450 SEF-R	2016-2017	FGSH 1786	RXF 48	RXF 48	1155			08765- series springs
250/350/450 SEF-R	2016-2017	SH 1784	TTX Flow	T46PR1C1W	225	480		06310- spring series

## ÖHLINS | SUZUKI ROAD & TRACK PRODUCTS

Model	Year	Part No	P. Family	Type Code	P/C	Length	Spring	Notes
B-King	2007-2009	08768-95	Fork springs		300	260		**
C 1500	2005-2007	08855-01	Fork springs		300			
C 1800R	2008-2009	08861-01	Fork springs		300			
C 800	2005-2009	08852-01	Fork springs		300			
C 800C	2009	08852-01	Fork springs		300			
DL 1000 V-Strom	2002	08688-90	Fork springs		300	448		
DL 650 V-Strom	2004-2011	SU 823	STX 46 Adventure	S46DR1S	16	340.5	01096-31 (Y)	
DL 650 V-Strom	2004-2014	08771-80	Fork springs		300	445		**
DL 650 V-Strom	2004-2014	SU 043	STX 46 Adventure	S46DR1	9	340.5	01096-31 (Y)	
GS 1000 E	1979-1982	SU 143	STX 36 Twin	S36P	13	331	00480-03 (B)	
GS 1000 H	1979-1982	SU 143	STX 36 Twin	S36P	13	331	00480-03 (B)	

\* Delivered without spring, must be ordered separately. (B) = Black spring, (C) = Chrome spring, (Y) = Yellow spring



Model	Year	Part No	P. Family	Type Code	P/C	Length	Spring	Notes
GS 1000 L	1979-1982	SU 143	STX 36 Twin	S36P	13	331	00480-03 (B)	
GS 1000 S	1979-1982	SU 143	STX 36 Twin	S36P	13	331	00480-03 (B)	
GS 750 E	1977-1984	SU 143	STX 36 Twin	S36P	13	331	00480-03 (B)	
GS 750 L	1977-1981	SU 143	STX 36 Twin	S36P	13	331	00480-03 (B)	
GS 750 S	1979-1984	SU 143	STX 36 Twin	S36P	13	331	00480-03 (B)	
GSF 1200 Bandit	1996-2000	08842-01	Fork springs			300		
GSF 1200 Bandit	1997-2000	08842-01	Fork springs			300		ABS
GSF 1200 Bandit	2001-2005	08674-90	Fork springs			300	375	
GSF 1250 Bandit S/SA/A	2007-2014	SU 103	STX46 Street	S46HR1C1S	23	320	01092-59 (Y)	With and w/o ABS
GSF 600 Bandit	1995-1999	08619-80	Fork springs			300	285	
GSF 600 Bandit	2000-2004	08666-70	Fork springs			300	345	
GSF 650 Bandit	2005-2006	08719-85	Fork springs			300	337	w/o ABS
GSR 600	2006-2009	08729-85	Fork springs			300	335	
GSR 600	2006-2009	SU 046	STX46 Street	S46DR1	9	337	01091-29 (Y)	
GSR 750	2011-2012	SU 120	STX46 Street	S46PR1C2	18	326.5	01092-34 (Y)	
GSR 750	2011-2014	08402-90	Fork springs			300	290	
GSX 1100	1979-1983	SU 143	STX 36 Twin	S36P	13	331	00480-03 (B)	
GSX 1100 Katana	1981-1983	SU 143	STX 36 Twin	S36P	13	331	00480-03 (B)	
GSX 1100 R W	1993-1994	08606-10	Fork springs			300	294	
GSX 1100 R W	1993-1994	08606-90	Fork springs			300	294	
GSX 1250 F/FA	2010-2014	SU 103	STX46 Street	S46HR1C1S	23	320	01092-59 (Y)	With and w/o ABS
GSX 1300 R Hayabusa	1999-2007	08656-10	Fork springs			300	246	**
GSX 1300 R Hayabusa	1999-2007	08656-90	Fork springs			300	246	**
GSX 1300 R Hayabusa	1999-2007	08656-95	Fork springs			300	246	**
GSX 1300 R Hayabusa	1999-2007	SU 406	STX 46 Hypersport	S46PR1C2LS	30	330 +10/-0	01092-41 (Y)	
GSX 1300 R Hayabusa	2008-2012	08796-10	Fork springs			300	265	
GSX 1300 R Hayabusa	2008-2012	FGRT 208	FGRT 200	FGRT200	114	730	04744-10	Gold outer tubes.
GSX 1300 R Hayabusa	2008-2012	SD 030	Steering Damper	SD R&T	44			
GSX 1300 R Hayabusa	2008-2012	SU 026	TTX 36	T36PR1C1LS	30	330 +4/-2	01095-54 (Y)	
GSX 1400	2001-2007	SU 133	STX 36 Twin	S36PR1C1LB	30	328 +10/-0	00380-06 (Y)	
GSX 600 F	1998-2003	08647-80	Fork springs			300	365	
GSX 650F	2008-2009	08719-85	Fork springs			300	337	w/o ABS
GSX 750	1998-1999	08648-75	Fork springs			300	395	Naked
GSX 750 F	1998-2003	08647-80	Fork springs			300	365	
GSX-R 1000	2001-2002	08672-10	Fork springs			300	235	
GSX-R 1000	2001-2002	08672-95	Fork springs			300	235	
GSX-R 1000	2001-2013	SD 030	Steering Damper	SD R&T	44			
GSX-R 1000	2003-2006	08697-10	Fork springs			300	230	
GSX-R 1000	2003-2006	08697-95	Fork springs			300	230	
GSX-R 1000	2005-2006	SU 503	STX 46 Hypersport	S46PR1C2LS	30	325,5 +6/-0	01093-29 (Y)	
GSX-R 1000	2005-2008	FPK 104	Accessories	Fork piston kit				P/C- See parts price list
GSX-R 1000	2007-2008	08744-05	Fork springs			300	240	**
GSX-R 1000	2007-2008	08744-10	Fork springs			300	240	**
GSX-R 1000	2007-2008	08744-95	Fork springs			300	240	*/**
GSX-R 1000	2007-2008	SU 932	TTX 36	T36PR1C1LB	29	315 +2/-2	21040-36 (Y)	MKII
GSX-R 1000	2009-2011	08779-10	Fork springs			300	243	***
GSX-R 1000	2009-2011	08779-11	Fork springs			300	243	***
GSX-R 1000	2009-2011	08779-95	Fork springs			300	243	*/****
GSX-R 1000	2009-2011	FGR 157	FGR 100	TTX25G	113	735	04744-95/-10-05	Springs -95,-10,-05 included in kit
GSX-R 1000	2009-2016	SU 358	TTX RT	T36PR1C1L	23	320 +4/-2	21040-31 (Y)	
GSX-R 1000	2009-2016	SU 360	TTX GP	T36PR1C1LB	30	320 +4/-2	21040-31 (Y)	TTX GP

\* Delivered without spring, must be ordered separately. (B) = Black spring, (C) = Chrome spring, (Y) = Yellow spring



# SUZUKI ROAD & TRACK PRODUCTS

Model	Year	Part No	P. Family	Type Code	P/C	Length	Spring	Notes
GSX-R 1000	2012-2016	08406-05	Fork springs		300	235		***
GSX-R 1000	2012-2016	08406-10	Fork springs		300	235		*/***
GSX-R 1000	2012-2016	08406-11	Fork springs		300	235		***
GSX-R 1000	2012-2016	08406-95	Fork springs		300	235		***
GSX-R 1000	2012-2016	FGK 221	NIX 30	NIX30	107	723	*	08790-xx series spring
GSX-R 1000	2012-2017	FKR 118	FKR 100	TTX25S	113		See notes	Comes with 3 different spring rates: 9.5 ,10 & 10.5N/mm *Not For 2017 GSX-R1000RR (BFF) fork*
GSX-R 1000	2012-2016	FGRT 205	FGRT 200	FGRT200	114	725	04744-10	Gold outer tubes. w/o ABS
GSX-R 1100	1986-1988	SU 635	STX 46 Hypersport	S46HR1C1	16	315	01095-21 (Y)	
GSX-R 1100	1990-1992	08606-10	Fork springs		300	294		
GSX-R 1100	1990-1992	08606-90	Fork springs		300	294		
GSX-R 1100	1990-1992	SU 002	STX 46 Hypersport	S46HR1C1	16	312	01092-29 (Y)	
GSX-R 600	1997-2000	08635-85	Fork springs		300	250		
GSX-R 600	1997-2000	08635-90	Fork springs		300	250		
GSX-R 600	2001-2003	08671-90	Fork springs		300	246		*
GSX-R 600	2001-2013	SD 030	Steering Damper	SD R&T	44			
GSX-R 600	2004-2005	08656-10	Fork springs		300	246		**
GSX-R 600	2004-2005	08656-90	Fork springs		300	246		**
GSX-R 600	2004-2005	08656-95	Fork springs		300	246		*/**
GSX-R 600	2006-2009	08724-10	Fork springs		300	267		**
GSX-R 600	2006-2009	08724-90	Fork springs		300	267		*/**
GSX-R 600	2006-2009	08724-95	Fork springs		300	267		**
GSX-R 600	2006-2010	FGK 208	NIX 30	NIX30	107	737	*	08790-xx series spring
GSX-R 600	2006-2010	SU 789	TTX 36	T36PR1C1LB	27	320 +3/-3	21040-29 (Y)	MKI
GSX-R 600	2008-2010	FPK 102	Accessories	Fork piston kit				P/C- See parts price list
GSX-R 600	2011-2016	08773-10	Fork springs		300	235		***
GSX-R 600	2011-2016	08773-90	Fork springs		300	235		***
GSX-R 600	2011-2016	FGK 217	NIX 30	NIX30	107	722	*	08790-xx series spring
GSX-R 600	2011-2016	FKR 119	FGR 100	TTX25S	113		See notes	Comes with 3 different spring rates: 9, 9.5 & 10N/mm
GSX-R 600	2011-2016	SU 357	TTX RT	T36PR1C1L	23	319 (+2/-4)	21040-31 (Y)	
GSX-R 600	2011-2016	SU 361	TTX GP	T36PR1C1LB	30	319 (+2/-4)	21040-31 (Y)	TTX GP
GSX-R 750	2000-2003	08665-85	Fork springs		300	250		
GSX-R 750	2000-2003	08665-90	Fork springs		300	250		
GSX-R 750	2000-2003	08665-95	Fork springs		300	250		
GSX-R 750	2000-2013	SD 030	Steering Damper	SD R&T	44			
GSX-R 750	2004-2005	08656-10	Fork springs		300	246		**
GSX-R 750	2004-2005	08656-90	Fork springs		300	246		**
GSX-R 750	2004-2005	08656-95	Fork springs		300	246		*/**
GSX-R 750	2006-2007	FGK 208	NIX 30	NIX30	107	737	*	08790-xx series spring
GSX-R 750	2006-2007	FPK 102	Accessories	Fork piston kit				P/C- See parts price list
GSX-R 750	2006-2009	08724-10	Fork springs		300	267		**
GSX-R 750	2006-2009	08724-90	Fork springs		300	267		**
GSX-R 750	2006-2009	08724-95	Fork springs		300	267		*/**
GSX-R 750	2006-2010	SU 789	TTX 36	T36PR1C1LB	27	320 +3/-3	21040-29 (Y)	MKI
GSX-R 750	2011-2016	08773-10	Fork springs		300	235		***
GSX-R 750	2011-2016	08773-90	Fork springs		300	235		***
GSX-R 750	2011-2016	FGK 217	NIX 30	NIX30	107	722	*	08790-xx series spring
GSX-R 750	2011-2016	FKR 119	FKR 100	TTX25S	113		See notes	Comes with 3 different spring rates: 9, 9.5 & 10N/mm
GSX-R 750	2011-2016	SU 357	TTX RT	T36PR1C1L	23	319 (+2/-4)	21040-31 (Y)	

\* Delivered without spring, must be ordered separately. (B) = Black spring, (C) = Chrome spring, (Y) = Yellow spring



# SUZUKI ROAD & TRACK PRODUCTS

Model	Year	Part No	P. Family	Type Code	P/C	Length	Spring	Notes
GSX-R 750	2011-2016	SU 361	TTX GP	T36PR1C1LB	30	319 (+2/-4)	21040-31 (Y)	TTX GP
GSX-S1000	2015-2017	SU 509	STX46 Street	S46DR1B	16		01092-36	
M 1500	2009	08862-01	Fork springs		300			
M 800	2005-2009	08854-01	Fork springs		300			
M 800Z	2009	08854-01	Fork springs		300			
RE-5	1975-1977	SU 143	STX 36 Twin	S36P	13	331	00480-03 (B)	
RF 600 R	1993-1994	08622-80	Fork springs		300	400		
RGV 250	1989-1993	SU 904	STX 46 Hypersport	S46HR1C1L	17	307 +5/-7	01093-19 (Y)	
SFV 650 Gladius	2009-2014	08780-90	Fork springs		300	447		**
SV 650	1999-2002	08657-80	Fork springs		300	310		*
SV 650	1999-2002	08657-85	Fork springs		300	310		
SV 650	2003-2007	08698-80	Fork springs		300	428		w/o ABS *
SV 650	2003-2007	08698-85	Fork springs		300	428		w/o ABS
SV 650	2003-2007	SU 606	STX46 Street	S46PR1C1L	17	330 +12/-0	01096-21 (Y)	w/o ABS
TL 1000 R	1998-2001	SU 806	STX 46 Hypersport	S46PR1C1	24	253	01093-89 (Y)	
VL 1500	1997-2004	08856-01	Fork springs		300			
VL 800	2001-2004	08853-01	Fork springs		300			



# SUZUKI MX & ENDURO PRODUCTS

Model	Year	Part No	P. Family	Type Code	P/C	Length	Spring	Notes
RM 85	2009-2017	FGSU 1390	STX 22	Cartridge kit	106	844		08785-series spring
RM-Z 250	2007-2016	SU 1693	TTX 44	T44PR1C2W	225	480		06310- spring series
RM-Z 250	2007-2017	SU 1793	TTX Flow	T46PR1C1W	225	480		06310- spring series
RM-Z 250	2013-2017	FGSU 1796	RXF 48	RXF 48	1155	940	02428-47	08765- series springs
RM-Z 250	2016-2017	FGSU 1793	TTX 22	TTX Cartridge kit	245			08765- series springs
RM-Z 450	2007-2017	SU 1794	TTX Flow	T46PR1C1W	225	480		06310- spring series
RM-Z 450	2013-2017	FGSU 1796	RXF 48	RXF 48	1155	940	02428-47	08765- series springs
RM-Z 450	2015-2016	FGSU 1694	TTX 22	TTX Cartridge kit	245			08765- series springs
RM-Z 450	2015-2017	FGSU 1794	TTX 22	TTX Cartridge kit	245			08431- series springs



# TRIUMPH ROAD & TRACK PRODUCTS

Model	Year	Part No	P. Family	Type Code	P/C	Length	Spring	Notes
Bonneville	2000-2012	08798-90	Fork springs		300	330	*	
Bonneville	2007-2015	TR 625	STX 36 Twin	S36PR1L	20	340mm	60480-03(B)	
Bonneville	2007-2015	TR 626	STX 36 Twin	S36PR1L	20	360mm	60480-03(B)	
Bonneville	2007-2015	TR 627	STX 36 Twin	S36ER1L	12	340mm	60480-03(B)	
Bonneville	2007-2015	TR 628	STX 36 Twin	S36ER1L	12	360mm	60480-03(B)	
Bonneville	2009-2015	FSK 111	FSK 100	FSK	01			Will not fit SE model.
Bonneville	2016-2017	TR 624	STX 36 Twin	S36PR1C1L	23	348mm	60480-51(B)	
Bonneville	2016-2017	TR 634	STX 36 Twin	S36ER1L	12	348mm	60480-51(B)	
Daytona 675	2006-2008	08727-85	Fork springs		300	242	*	
Daytona 675	2006-2008	08727-90	Fork springs		300	242		
Daytona 675	2008	FPK 109	Accessories	Fork piston kit				P/C- See parts price list
Daytona 675	2009-2012	FGK 209	NIX 30	NIX30	107	726	*	08790-xx series spring
Daytona 675 and 675 R	2006-2012	TR 362	TTX GP	T36PR1C1LS	30	293 +6/-0	21040-34 (Y)	TTX GP
Daytona 675 and 675 R	2013-2016	TR 361	TTX GP	T36PR1C1LB	30	295,5 +5,5/-0,5	21040-34 (Y)	TTX GP

\* Delivered without spring, must be ordered separately. (B) = Black spring, (C) = Chrome spring, (Y) = Yellow spring



# TRIUMPH ROAD & TRACK PRODUCTS

Model	Year	Part No	P. Family	Type Code	P/C	Length	Spring	Notes
Daytona 675 R for Öhlins fork (FL 906)	2013-2017	FKR 120	FKR 100	TTX25S	113		See notes	Comes with 3 different spring rates: 9, 9.5 & 10N/mm
Daytona 955i	1997-2004	08635-85	Fork springs		300	250		
Daytona 955i	1997-2004	08635-90	Fork springs		300	250		
Scrambler	2005-2011	08798-90	Fork springs		300	330		
Scrambler	2006-2015	FKS 207	NIX 22	NIX 22	11			Spring series 08429-xx
Scrambler	2006-2016	FSK 109	FSK 100	FSK	01			
Scrambler	2007-2016	TR 538	STX 36 Twin	S36DR1L	15	375mm +10/-0	00480-03 (Black)	
Scrambler	2007-2016	TR 627	STX 36 Twin	S36ER1L	12	340mm	60480-03(Black)	
Scrambler	2007-2016	TR 628	STX 36 Twin	S36ER1L	12	360mm	60480-03(Black)	
Scrambler	2007-2016	TR 927	STX 36 Twin	S36PL	16	369+10/-0	00480-03 (B)	
Scrambler	2007-2016	TR 963	STX 36 Blackline	S36DR1L	72	375 +10/0	00480-03 (Black)	
Scrambler	2007-2016	TR 964	STX 36 Blackline	S36PR1C1L	73	369 +10/0	00480-03 (Black)	
Speed Triple 1050	2008-2010	08770-95	Fork springs		300	280		**
Sprint RS	2000	08658-80	Fork springs		300	410		
Sprint ST	1999	08658-80	Fork springs		300	410		
Street Triple 675	2008-2012	08693-10	Fork springs		300	258		**
Street Triple 675	2008-2012	08693-90	Fork springs		300	258		**
Street Triple 675	2008-2012	TR 043	STX46 Street	S46DR1	9	290mm	01093-44 (Yellow)	
Street Triple 675 / and R	2008-2012	TR 805	STX46 Street	S46PR1C1L	19	290,5mm +6/-0	01093-44 (Yellow)	
Street Triple R 675	2009-2012	08781-95	Fork springs		300	247		**
Street Triple R 675	2009-2012	TR 043	STX46 Street	S46DR1	9	290mm	01093-44 (Yellow)	
Street Triple R 675	2009-2012	TR 805	STX46 Street	S46PR1C1L	19	290,5mm +6/-0	01093-44 (Yellow)	
Street Twin	2016	TR 613	STX 36 Twin	S36PR1C1L	23	340mm +10/-0	60480-51 (Black)	
Street Twin	2016	TR 623	STX 36 Twin	S36ER1L	12	340mm	60480-51 (Black)	
T509 Speed Triple	1997-1999	08635-85	Fork springs		300	250		
T509 Speed Triple	1997-1999	08635-90	Fork springs		300	250		
T595 Daytona	1997-1999	08635-85	Fork springs		300	250		
T595 Daytona	1997-1999	08635-90	Fork springs		300	250		
Thruxton	2004-2012	08798-90	Fork springs		300	330		*
Thruxton	2004-2012	08798-95	Fork springs		300	330		
Thruxton	2005-2015	TR 538	STX 36 Twin	S36DR1L	15	375mm +10/-0	00480-03 (Black)	
Thruxton	2005-2015	TR 963	STX 36 Blackline	S36DR1L	72	375 +10/0	00480-03 (Black)	
Thruxton	2007-2015	TR 625	STX 36 Twin	S36PR1L	20	340mm	60480-03(Black)	
Thruxton	2007-2015	TR 626	STX 36 Twin	S36PR1L	20	360mm	60480-03(Black)	
Thruxton	2007-2015	TR 627	STX 36 Twin	S36ER1L	12	340mm	60480-03(Black)	
Thruxton	2007-2015	TR 628	STX 36 Twin	S36ER1L	12	360mm	60480-03(Black)	
Thruxton	2007-2015	TR 964	STX 36 Blackline	S36PR1C1L	73	369 +10/0	00480-03 (Black)	
Thruxton	2008-2015	FKS 208	NIX 22	NIX 22	11		Order seperately	Spring series 08429-xx
Thruxton	2008-2015	FSK 110	FSK 100	FSK	01			Will not fit Thruxton-R
Thruxton R	2016	TR 965	STX 36 Blackline	S36PR1C1L (Blackline)	73		66387-01	
Tiger 1050	2007-2012	08756-70	Fork springs		300	300		
Tiger 1050	2007-2012	TR 044	STX46 Street	S46DR1	9	350mm	01093-44 (Yellow)	
Tiger 800	2011-2014	TR 119	STX 46 Adventure	S46HR1C1S	23	345.5	01096-31 (Y)	

\* Delivered without spring, must be ordered separately. (B) = Black spring, (C) = Chrome spring, (Y) = Yellow spring



# TRIUMPH ROAD & TRACK PRODUCTS

Model	Year	Part No	P. Family	Type Code	P/C	Length	Spring	Notes
Tiger 800 (Showa)	2011-2014	FKA 102	FKA 100	NIX30A	107	813	*	08415-series springs
Tiger 800 XC	2011-2014	TR 120	STX 46 Adventure	S46HR1C1S	23	360.5	01096-31 (Y)	
Tiger 800 XC (Showa)	2011-2014	FKA 103	FKA 100	NIX30A	107	851	*	08416-series springs



# VICTORY ROAD & TRACK PRODUCTS

Model	Year	Part No	P. Family	Type Code	P/C	Length	Spring	Notes
Octane	2016-2017	VI 642	STX 36 Twin	S36PR1C1L	23	267mm +6/-4	60282-10(B)	



# YAMAHA ROAD & TRACK PRODUCTS

Model	Year	Part No	P. Family	Type Code	P/C	Length	Spring	Notes
Aerox/NVX 155	2017	YA 686	STX 36 Twin	S36PR1			60182-01	
Crypton		YA 518	STX46 Street	S46E	4	197	60015-91 (Y)	
FJ 1200	1991-1993	08608-90	Fork springs		300	510		
FJ 1200	1991-1993	08608-90	Fork springs		300	510		ABS
FJR 1300	2001-2005	YA 056	STX46 Street	S46DR1	9	325	01092-34 (Y)	With and w/o ABS
FJR 1300	2001-2012	08679-10	Fork springs		300	261		
FJR 1300	2001-2012	08679-90	Fork springs		300	261		*
FJR 1300	2006-2012	YA 053	STX46 Street	S46DR1	9	326.5	01092-49 (Y)	
FJR 1300	2006-2012	YA 707	STX46 Street	S46HR1C1S	23	326.5	01092-49 (Y)	
FZ 1	2006-2012	08656-10	Fork springs		300	246		**
FZ 1	2006-2012	08656-90	Fork springs		300	246		**
FZ 1	2006-2012	08656-95	Fork springs		300	246		**
FZ 1	2006-2013	YA 009	STX46 Street	S46DR1	9	320	01095-44 (Y)	With and w/o ABS
FZ 1	2006-2013	YA 041	STX46 Street	S46HR1C1S	23	320	01095-44 (Y)	With and w/o ABS
FZ 8	2010-2013	YA 009	STX46 Street	S46DR1	9	320	01095-44 (Y)	With and w/o ABS
FZ 8	2010-2013	YA 041	STX46 Street	S46HR1C1S	23	320	01095-44 (Y)	With and w/o ABS
FZ6	2004-2007	08711-85	Fork springs		300	354		**
FZ6	2004-2007	YA 403	STX46 Street	S46ER1	9	305	01092-54 (Y)	
FZ6 S2	2007-2009	08711-85	Fork springs		300	354		**
FZ6 S2	2007-2009	YA 403	STX46 Street	S46ER1	9	305	01092-54 (Y)	
FZ8	2010-2013	08799-95	Fork springs		300	285		**
FZS 1000 Fazer	2001-2005	YA 313	STX46 Street	S46ER1	9	305.5	01091-26 (Y)	
FZS 600 Fazer	1998-2003	YA 314	STX46 Street	S46DR1	9	305	01093-64 (Y)	
MT 01	2005-2011	YA 501	STX46 Street	S46PR1C1L	20	311	01092-64 (Y)	
MT 03	2016	FKS 203	NIX 22	NIX 22	11			Spring series 08429-xx
MT 03	2016	FSK 104	FSK 100	FSK	01		68004-75	
MT 03	2016	YA 467	STX 46 Hypersport	S46HR1C1L	16	277	01104-69 (Y)	
MT 07	2014-2016	08425-90	Fork springs		300	345		
MT 07	2014-2016	FKS 204	NIX 22	NIX 22	11			Spring series 08429-xx Also known as FJ 07 in some markets.
MT 07	2014-2016	FSK 108	FSK 100	FSK	01		68004-95	
MT 07	2014-2016	YA 419	STX46 Street	S46DR1	9	312	01092-41 (Y)	
MT-07 Tracer 700	2016-2017	FKS 204	NIX 22	NIX 22	11		Sold separately, see notes	Spring series 08429-xx

\* Delivered without spring, must be ordered separately. (B) = Black spring, (C) = Chrome spring, (Y) = Yellow spring





# YAMAHA ROAD & TRACK PRODUCTS

Model	Year	Part No	P. Family	Type Code	P/C	Length	Spring	Notes
MT-07 Tracer 700	2016-2017	YA 429	STX46 Street	S46DR1S	16	330mm	01095-44 (Y)	
MT 09	2014-2016	08422-90	Fork springs		300	300		**
MT 09	2014-2016	FGK 237	NIX 30	NIX30	107	804		"08423-90 spring Replaces FGK 230"
MT 09	2014-2016	YA 335	STX46 Street	S46DR1	9	329	01092-31 (Y)	
MT 09	2014-2016	YA 534	STX46 Street	S46DR1S	16	329	01092-31 (Y)	
MT 09	2014-2016	YA 535	STX46 Street	S46HR1C1S	23	329	01092-31 (Y)	
MT-09 Tracer 900	2015-2016	08422-90	Fork springs		300	300		
MT-09 Tracer 900	2015-2016	FGK 237	NIX 30	NIX30	107		*	""9.0N/mm (p/n: 08423-90) Replaces FGK 230"
MT-09 Tracer 900	2014-2016	YA 335	STX46 Street	S46DR1	9		01092-31 (Y)	
MT-09 Tracer 900	2014-2016	YA 534	STX46 Street	S46DR1S	16		01092-31 (Y)	
MT-09 Tracer 900	2014-2016	YA 535	STX46 Street	S46HR1C1S	23		01092-31 (Y)	
MT 10	2016	FGK 235	NIX 30	NIX30	107	743	*	08790-xx series spring
MT 10	2016	FGRT 219	FGRT 200	FGRT200	114	745	04744-10	Gold outer tube
MT 10	2016	YA 416	TTX GP	T36PR1C1L	28	315 +6/-0	21040-29 (Y)	
R25	2014-2016	FKS 203	NIX 22	NIX 22	11			Spring series 08429-xx
R25	2014-2016	FSK 104	FSK 100	NIX22	01		68004-75	
R25	2014-2016	YA 467	STX 46 Hypersport	NIX 22	16	277	01104-69 (Y)	
R3	2015-2016	FKS 203	NIX 22	NIX 22	11			Spring series 08429-xx
R3	2015-2016	FSK 104	FSK 100	FSK	01		68004-75	
R3	2015-2016	YA 467	STX 46 Hypersport	S46HR1C1L	16	277	01104-69 (Y)	
RD 350	1979-1982	YA 051	STX46 Street	S46DR1	9	315	01091-26 (Y)	
RD 350	1983-1988	YA 415	STX46 Street	S46ER1	9	293	01093-34 (Y)	
SR 400	2014	YA 443	STX 36 Twin	S36P	12	321	60001-15 (B)	
SR 400/500	1978-1995	08640-50	Fork springs		300	516		For drumbrake only
SR 500	All	YA 148	STX 36 Twin	S36P	13	321	00480-02 (B)	
SR 500	All	YA 952E	STX 36 Twin	S36E	9	320	00480-02 (B)	
T135 LC4V		08791-60	Fork springs		300	298		
TDM 900	2002-2003	08683-80	Fork springs		300	315		
TDM 900	2004-2012	08712-80	Fork springs		300	353		
T135 LC4V		08791-60	Accessories		300	298		od 19mm
TRX 850	1996-2000	08608-70	Fork springs		300	510		
TRX 850	1996-2000	08608-80	Fork springs		300	510		
TRX 850	1996-2000	08608-85	Fork springs		300	510		
T-Max	2017	YA 797	STX46 Street	S46DR1	9			
V-Max	1985-2005	YA 427	STX 36 Twin	S36PR1C1L	30	324 +10/-0	00360-05 (B)	
V-Max	1993-2005	08676-70	Fork springs		300	370		
XJ 6	2009-2012	08783-85	Fork springs		300	365		ABS **
XJR 1200	1995-1998	08834-01	Fork springs		300			
XJR 1200	1995-1998	YA 156	STX 36 Twin	S36P	13	326	00480-23 (B)	
XJR 1200	1995-1998	YA 413	STX 36 Twin	S36PR1C1L	30	325 +10/-0	00360-06 (B)	
XJR 1200	1995-1998	YA 417	STX 36 Twin	S36PR1C1L	30	325 +10/-0	00380-06 (Y)	
XJR 1300	1999-2001	08660-80	Fork springs		300	390		
XJR 1300	1999-2005	YA 156	STX 36 Twin	S36P	13	326	00480-23 (B)	
XJR 1300	1999-2005	YA 413	STX 36 Twin	S36PR1C1L	30	325 +10/-0	00360-06 (B)	
XJR 1300	1999-2005	YA 417	STX 36 Twin	S36PR1C1L	30	325 +10/-0	00380-06 (Y)	
XJR 1300		YA 964	STX 36 Blackline	S36PR1C1L	73	325 +10/0	00360-06 (B)	
XJR 400	1991-2000	YA 145	STX 36 Twin	S36P	13	320.5	00480-02 (B)	
XSR 700	2016	08425-90	Fork springs		300	345		
XSR 700	2016	FKS 204	NIX 22	NIX 22	11			Spring series 08429-xx
XSR 700	2016	FSK 108	FSK 100	FSK	01		68004-95	
XSR 700	2016	YA 419	STX46 Street	S46DR1	9	312	01092-41 (Y)	

\* Delivered without spring, must be ordered separately. (B) = Black spring, (C) = Chrome spring, (Y) = Yellow spring



# YAMAHA ROAD & TRACK PRODUCTS

Model	Year	Part No	P. Family	Type Code	P/C	Length	Spring	Notes
XSR 900	2016	08422-90	Fork springs		300	300		**
XSR 900	2016	FGK 237	NIX 30	NIX30	107	804		"08423-90 spring Replaces FGK 230"
XSR 900	2016	YA 335	STX46 Street	S46DR1	9	329	01092-31 (Y)	
XSR 900	2016	YA 534	STX46 Street	S46DR1S	16	329	01092-31 (Y)	
XSR 900	2016	YA 535	STX46 Street	S46HR1C1S	23	329	01092-31 (Y)	
XT 1200 Z (KYB)	2010-2014	FKA 106	FKA 100	NIX30A	107	872	*	not for XT1200ZE model. 08424-series springs
XT 1200 Z Ténére	2010-2014	YA 013	STX 46 Adventure	S46HR1C1S	23	352.5	01099-49 (Y)	
XT 660 R	2004-2012	YA 418	STX 46 Adventure	S46DR1	9	341	01096-54 (Y)	
XT 660 X	2004-2012	YA 418	STX46 Street	S46DR1	9	341	01096-54 (Y)	
XT 660 Z Ténére	2008-2009	08716-60	Fork springs		300	590		
XT 660 Z Ténére	2008-2012	YA 817	STX 46 Adventure	S46PR1C1	16	345	01099-24 (Y)	w/o ABS
XT 660X	2004-2005	08716-60	Fork springs		300	590		
XV 1600 Wild Star	1999-2005	08849-01	Fork springs		300			
XV 1900A Midnight Star	2006-2011	08851-01	Fork springs		300			
XV 950 Bolt	2014	YA 357	STX 36 Twin	S36PR1C1L	20	255	60281-27 (B)	
XV 950 Bolt	2014-2016	FSK 114	FSK 100	Top Cap spring kit	01			
XVS 1100 Drag Star	1999-2005	08846-01	Fork springs		300			
XVS 1100A Drag Star Classic	2000-2007	08847-01	Fork springs		300			
XVS 1300A Midnight Star	2007-2011	08848-01	Fork springs		300			
XVS 650 Drag Star	1997-2004	08844-01	Fork springs		300			
XVS 650A Drag Star Classic	1997-2007	08845-01	Fork springs		300			
XVS 950A Midnight Star	2009-2011	08863-01	Fork springs		300			
YZF 1000	1996-1999	08632-90	Fork springs		300	290		
YZF R1	1998-2001	08649-80	Fork springs		300	255		
YZF R1	2002-2003	08681-90	Fork springs		300	250		
YZF R1	2002-2003	08681-95	Fork springs		300	250		
YZF R1	2004-2006	YA 343	STX 46 Hypersport	S46PR1C2LS	28	300 +6/-0	01093-31 (Y)	
YZF R1	2004-2008	08672-10	Fork springs		300	235		**
YZF R1	2004-2008	08672-95	Fork springs		300	235		*/**
YZF R1	2004-2008	SD 027	Steering Damper	SD R&T	40			
YZF R1	2007-2008	YA 932	TTX 36	T36PR1C1LB	29	302 +4/-2	21040-31 (Y)	MKII
YZF R1	2009-2013	FPK 108	Accessories	Fork piston kit				P/C - See parts price list
YZF R1	2009-2014	08774-10	Fork springs		300	273		**
YZF R1	2009-2014	08774-95	Fork springs		300	273		*/**
YZF R1	2009-2014	FGK 201	NIX 30	NIX30	107	731	*	08790-xx series spring
YZF R1	2009-2014	FGR 151	FGR 100	TTX25G	113	731	x	Springs -95,-10,-05 included in kit
YZF R1	2009-2014	FGRT 206	FGRT 200	FGRT200	114	740	04744-05	Gold outer tubes.
YZF R1	2009-2014	SD 024	Steering Damper	SD R&T	46			
YZF R1	2009-2014	YA 359	TTX RT	T36PR1C1L	23	297 +4/-2	21040-29 (Y)	TTX RT
YZF R1	2009-2014	YA 362	TTX GP	T36PR1C1LS	30	297 +4/-2	21040-29 (Y)	TTX GP
YZF R1	2015-2016	FGK 235	NIX 30	NIX30	107	743	*	08790-xx series spring
YZF R1	2015-2016	FGRT 219	FGRT 200	FGRT200	114	745	04744-10	Gold outer tube
YZF R1	2015-2016	SD 047	Steering Damper	SD R&T	40			
YZF R1	2015-2016	YA 416	TTX GP	T36PR1C1L	28	315 +6/-0	21040-29 (Y)	TTX GP
YZF R1	2015-2017	08432-05	Fork springs		300	220		*/**
YZF R1	2015-2017	08432-10	Fork springs		300	220		*/**
YZF R1	2015-2017	08432-85	Fork springs		300	220		*/**
YZF R1	2015-2017	08432-95	Fork springs		300	220		*/**

\* Delivered without spring, must be ordered separately. (B) = Black spring, (C) = Chrome spring, (Y) = Yellow spring



# YAMAHA ROAD & TRACK PRODUCTS

Model	Year	Part No	P. Family	Type Code	P/C	Length	Spring	Notes
YZF R1	2015-2017	FKR 102	FKR 100	TTX25S	113		See notes	Comes with 3 different spring rates: 9, 9.5 & 10N/mm Fits KYB Fork
YZF R1 SP	2006	SD 027	Steering Damper	SD R&T	40			
YZF R1M	2015-2016	FGK 234	NIX 30	NIX30	107	749	*	For FL 912 Race use only, 08790-xx series springs
YZF R1M	2015-2016	FGR 184	FGR 100	TTX25G	113	749	*	For FL 912 Race use only, Springs -95,-10,-05 included
YZF R1M	2015-2016	SD 043	Steering Damper	SD R&T	42			
YZF R1M	2015-2016	SD 047	Steering Damper	SD R&T	40			
YZF R1M	2015-2016	YA 416	TTX GP	T36PR1C1L	28	315 +6/-0	21040-29 (Y)	TTX GP
YZF R1M	2015-2017	FKR 103	FKR 100	TTX25S	113		See notes	Comes with 3 different spring rates: 9, 9.5 & 10N/mm Fits OEM Öhlins FL 912 fork
YZF R6	1999-2002	08652-90	Fork springs		300	257		
YZF R6	2005	08714-10	Fork springs		300	250		
YZF R6	2005	08714-95	Fork springs		300	250		*
YZF R6	2006-2007	08722-10	Fork springs		300	250		
YZF R6	2006-2007	08722-85	Fork springs		300	250		
YZF R6	2006-2007	08722-90	Fork springs		300	250		
YZF R6	2006-2007	08722-95	Fork springs		300	250		
YZF R6	2006-2013	FPK 107	Accessories	Fork piston kit				P/C - See parts price list
YZF R6	2006-2016	SD 020	Steering Damper	SD R&T	46			
YZF R6	2006-2017	YA 358	TTX RT	T36PR1C1L	23	293 +5/-1	21041-29 (Y)	TTX RT
YZF R6	2006-2017	YA 361	TTX GP	T36PR1C1LB	30	293 +5/-1	21041-29 (Y)	TTX GP
YZF R6	2008-2015	08760-10	Fork springs		300	255		**
YZF R6	2008-2015	08760-85	Fork springs		300	255		*/**
YZF R6	2008-2015	08760-90	Fork springs		300	255		**
YZF R6	2008-2015	08760-95	Fork springs		300	255		**
YZF R6	2008-2015	FGK 202	NIX 30	NIX30	107	744	*	08790-xx series spring
YZF R6	2008-2015	FKR 112	FKR 100	TTX25S	113		See notes	Comes with 3 different spring rates: 9, 9.5 & 10N/mm
YZF R6	2016	FGK 238	NIX 30	NIX30	107	744	*	08790-xx series spring
YZF R6	2016	FKR 106	FKR 100	TTX25S	113		See notes	Comes with 3 different spring rates: 9, 9.5 & 10N/mm (Not 2017 model)
YZF R6	2017	08432-05	Fork springs		300	220		*/**
YZF R6	2017	08432-10	Fork springs		300	220		*/**
YZF R6	2017	08432-85	Fork springs		300	220		*/**
YZF R6	2017	08432-95	Fork springs		300	220		*/**
YZF R6	2017	FGK 235	NIX 30	NIX30	107	743	*	08790-xx series spring

\* Delivered without spring, must be ordered separately. (B) = Black spring, (C) = Chrome spring, (Y) = Yellow spring



# YAMAHA MX & ENDURO PRODUCTS

Model	Year	Part No	P. Family	Type Code	P/C	Length	Spring	Notes
WR 250F	2015-2017	YA 1793	TTX Flow	T46PR1C1W	225	458		06310- series spring
WR 450 F	2012-2015	YA 1484	TTX 44	T44PR1C2W	225	490	00480-02 (B)	06310- series spring
WR 450F	2016-2017	YA 1794	TTX Flow	T46PR1C1W	225	458		06310- series spring
YZ 125/250 2stroke	2013-2017	YA 1792	TTX Flow	T46PR1C1W	225	491		06310- spring series
YZ 125/250 2stroke	2015-2017	FGYA 1793	TTX 22	TTX Cartridge kit	245			08765- series springs
YZ 250/465	1980-1981	YA 367	STX 46 MX	S46HR1	20	542	05174-09 (Y)	
YZ 250F	2014-2015	FGYA 1593	TTX 22	TTX Cartridge kit	245	948	*	08762-series spring
YZ 250F	2014-2017	FGYA 1793	TTX 22	TTX Cartridge kit	245			08765- series springs
YZ 250F	2014-2017	FGYA 1796	RXF 48	RXF 48	1155	950	02428-47	08765- series springs
YZ 250F	2014-2017	YA 1793	TTX Flow	T46PR1C1W	225	458		06310- series spring
YZ 450F	2014-2015	FGYA 1594	TTX 22	TTX Cartridge kit	245	948	*	08762-series spring
YZ 450F	2014-2017	FGYA 1794	TTX 22	TTX Cartridge kit	245			08765- series springs
YZ 450F	2014-2017	FGYA 1796	RXF 48	RXF 48	1155	950	02428-47	08765- series springs
YZ 450F	2014-2017	YA 1794	TTX Flow	T46PR1C1W	225	458		06310- series spring
YZ 85	2002-2017	YA 1390	STX 46 MX	S46PR1C2W	19	403	*	00698- series spring



## SPRINGS ROAD & TRACK

### FORK SPRINGS FOR ÖHLINS PRODUCTS

Model	Part No	Length	Rate N/mm	P/C
<b>FDK</b>				
Optional spring FDK 111	68500-02		4.5	See parts price list
Optional spring FDK 111	68500-05		6.0	See parts price list
<b>FGK</b>				
Fork springs FGK 200	08423-10	300	10.0	300
Fork springs FGK 200	08423-70	300	7.0	300
Fork springs FGK 200	08423-90	300	9.0	300
Fork springs FGK 200	08423-95	300	9.5	300
Fork springs FGK 200	08790-05	260	10.5	300
Fork springs FGK 200	08790-10	260	10.0	300
Fork springs FGK 200	08790-11	260	11.0	300
Fork springs FGK 200	08790-12	260	12.0	300
Fork springs FGK 200	08790-13	260	13.0	300
Fork springs FGK 200	08790-15	260	11.5	300
Fork springs FGK 200	08790-65	260	6.5	300
Fork springs FGK 200	08790-70	260	7.0	300
Fork springs FGK 200	08790-80	260	8.0	300
Fork springs FGK 200	08790-85	260	8.5	300
Fork springs FGK 200	08790-90	260	9.0	300
Fork springs FGK 200	08790-95	260	9.5	300
<b>FGRT</b>				
Fork springs FGRT 200	04744-05	260	10.5	300
Fork springs FGRT 200	04744-10	260	10.0	300
Fork springs FGRT 200	04744-11	260	11.0	300
Fork springs FGRT 200	04744-65	260	6.5	300
Fork springs FGRT 200	04744-70	260	7.0	300
Fork springs FGRT 200	04744-75	260	7.5	300
Fork springs FGRT 200	04744-80	260	8.0	300

\* Delivered without spring, must be ordered separately. (B) = Black spring, (C) = Chrome spring, (Y) = Yellow spring

Model	Part No	Length	Rate N/mm	P/C
Fork springs FGRT 200	04744-85	260	8.5	300
Fork springs FGRT 200	04744-90	260	9.0	300
Fork springs FGRT 200	04744-95	260	9.5	300
<b>FG 433-434</b>				
Fork springs FG 433-434	08701-85	250	10,0	300
Fork springs FG 433-434	08701-90	250	8,5	300
Fork springs FG 433-434	08701-10	250	9,0	300
<b>FKA</b>				
Fork springs FKA 101	08767-50	480	5,0	300
Fork springs FKA 101	08767-55	480	5,5	300
Fork springs FKA 101	08767-60	480	6,0	300
Fork springs FKA 102	08415-60	350	6,0	300
Fork springs FKA 102	08415-65	350	6,5	300
Fork springs FKA 103	08416-55	400	5,5	300
Fork springs FKA 103	08416-60	400	6,0	300
Fork springs FKA 104	08410-65	328	6,5	300
Fork springs FKA 104	08410-70	328	7,0	300
Fork springs FKA 105	08418-55	450	5,5	300
Fork springs FKA 105	08418-60	450	6,0	300
Fork springs FKA 106	08424-80	420	8,0	300
Fork springs FKA 106	08424-90	420	9,0	300
Fork springs FKA 108	08427-55	460	5.5	300
<b>FKS</b>				
Fork springs FKS 200	08428-60	280	6.0	303
Fork springs FKS 200	08428-65	280	6.5	303
Fork springs FKS 200	08428-70	280	7.0	303
Fork springs FKS 200	08428-75	280	7.5	303
Fork springs FKS 200	08428-80	280	8.0	303
Fork springs FKS 200	08428-90	280	9.0	303
Fork springs FKS 200	08429-60	270	6.0	303
Fork springs FKS 200	08429-65	270	6.5	303
Fork springs FKS 200	08429-70	270	7.0	303
Fork springs FKS 200	08429-75	270	7.5	303
Fork springs FKS 200	08429-80	270	8.0	303
Fork springs FKS 200	08429-85	270	8.5	303
Fork springs FKS 200	08429-90	270	9.0	303
Fork springs FKS 200	08429-95	270	9.5	303
Fork springs FKS 200	08790-95	260	9.5	300

\* Delivered without spring, must be ordered separately. (B) = Black spring, (C) = Chrome spring, (Y) = Yellow spring



# SPRING GUIDE FOR STANDARD FORKS

Model	Year	Spring series for std fork	P/C	Length	Notes
<b>HONDA</b>					
CR 125	2004	08707-XX	300	485	
CR 250	1998-07	08641-XX	300	495	
CRF 250R	2004-09	08641-XX	300	495	
CRF 250R	2010-14	08775-XX	300	459	
CRF 250X	2010	08641-XX	300	495	
CRF 450R	2002-08	08641-XX	300	495	
CRF 450R	2009-12	08775-XX	300	459	
CRF 450X	2010	08641-XX	300	495	
XR 400	1996-00	08535-XX	300	535	
<b>HUSABERG</b>					
All models	2012	08764-XX	300	485	
FE 450	2010	08772-XX	300	505	
FE 570	2010	08772-XX	300	505	
<b>HUSQVARNA</b>					
TC 449	2011	08763-XX	300	455	
TE 449	2011	08775-XX	300	459	
TC 125/250	2015-16	08765-XX	300	467	
FC 250/350/450	2015-16	08765-XX	300	467	
TE 125/250/300	2015-16	08765-XX	300	467	
FE 250/350/450/501	2015-16	08765-XX	300	467	
<b>KAWASAKI</b>					
KLX 450 R	2010	08775-XX	300	459	
KX 125	2003-07	08699-XX	300	460	
KX 250	2003-07	08699-XX	300	460	
KX 250F	2006-10	08641-XX	300	495	
KX 250F	2004-05	08699-XX	300	460	
KX 450F	2007-08	08710-XX	300	470	
KX 450F	2009-12	08765-XX	300	467	
KX 500	1990	08535-XX	300	535	
<b>KTM</b>					
125/150/250 SX Europe	2012-15	08764-XX	300	485	
125/150/250 SX USA	2015-16	08765-XX	300	467	
250/350/ 450 SX-F Europe	2012-15	08764-XX	300	485	
250/350/ 450 SX-F USA	2015-16	08765-XX	300	467	
125/150/250 SX USA	2012-14	08764-XX	300	485	
250/350/ 450 SX-F USA	2012-14	08764-XX	300	485	
EXC 125	2012	08772-XX	300	505	
EXC 200	2012	08772-XX	300	505	
EXC 250	2012	08772-XX	300	505	
EXC 300	2012	08772-XX	300	505	
EXC 250F	2009-12	08772-XX	300	505	
EXC 350F	2012	08772-XX	300	505	
EXC 450F	2009-12	08772-XX	300	505	
EXC 500F	2012	08772-XX	300	505	
<b>SUZUKI</b>					
RM 125	2003	08626-XX	300	460	
RM 125	2004-07	08641-XX	300	495	
RM 250	2003	08626-XX	300	460	



# SPRINGS MX & ENDURO

Model	Year	Spring series for std fork	P/C	Length	Notes
RM 250	2004-07	08641-XX	300	495	
RMX 450Z	2010	08641-XX	300	495	
RM-Z 250	2007-12	08641-XX	300	495	
RM-Z 250	2004-06	08699-XX	300	460	
RM-Z 450	2004-12	08641-XX	300	495	
<b>YAMAHA</b>					
WR 250F	2003-04	08626-XX	300	460	
WR 250F	2005	08699-XX	300	460	
WR 250F	2010	08775-XX	300	459	
WR 450F	2003-04	08626-XX	300	460	
WR 450F	2005	08699-XX	300	460	
WR 450F	2010	08775-XX	300	459	
XT 660 X	2004-05	08716-XX	300	590	
YZ 125	1996-03	08626-XX	300	460	
YZ 125	2004	08708-XX	300	480	
<b>YAMAHA</b>					
YZ 125	2005	08710-XX	300	470	
YZ 125	2006-07	08723-XX	300	456	
YZ 250	1996-03	08626-XX	300	460	
YZ 250	2004	08708-XX	300	480	
YZ 250	2005	08710-XX	300	470	
YZ 250	2006-07	08723-XX	300	456	
YZ 250F	2001-03	08626-XX	300	460	
YZ 250F	2004	08708-XX	300	480	
YZ 250F	2005	08710-XX	300	470	
YZ 250F	2006-07	08723-XX	300	456	
YZ 250F	2008-13	08763-XX	300	455	
YZ 400F	1996-99	08626-XX	300	460	
YZ 426F	2000-02	08626-XX	300	460	
YZ 450F	2003	08626-XX	300	460	
YZ 450F	2004	08708-XX	300	480	
YZ 450F	2005	08710-XX	300	470	
YZ 450F	2006-07	08723-XX	300	456	
YZ 450F	2008-09	08763-XX	300	455	
YZ 450F	2010-13	08765-XX	300	467	

## SPRING GUIDE FOR STANDARD SHOCKS

Model	Year	Spring series
<b>HONDA</b>		
CRF 250R	2010-2017	06411-XX
CRF 450R	2009-2014	06411-XX
<b>HUSABERG</b>		
TE 250/300	2011-2013	06320-XX
FE 350/390/450/501	2011-2013	06320-XX
<b>HUSQVARNA</b>		
FC 250/350/450	2014-2017	06310-XX
FE 250/350/450/510	2014-2017	06310-XX
TE 125/250/300	2014-2017	06310-XX
TE 250/ 310/ 449/ 450/ 510	2010-2012	06310-XX
TC 125/250	2014-2017	06310-XX
TC 250/ 450	2010-2012	06310-XX
<b>KAWASAKI</b>		
KLX 450 R	2011-2012	06411-XX
KX 250F/450F	2011-2017	06411-XX
<b>KTM</b>		
125/150 SX	2013-2017	06310-XX
250 SX	2011-2017	06310-XX
250/350/450 SX-F	2011-2017	06310-XX
EXC 125/200/250/300	2011-2016	06320-XX
EXC 250/350/450/500F	2011-2016	06320-XX
<b>SUZUKI</b>		
RM-Z 250/450	2010-2017	06411-XX
<b>YAMAHA</b>		
WR 250/450F	2011-2017	06411-XX
YZ 125/250	2013-2017	06310-XX
YZ 250F	2009-2017	06411-XX
YZ 450F	2010-2017	06411-XX

## SPRINGS FOR ÖHLINS PRODUCTS

Part No	Length	Inner diam.	Wire diam.	Rate N/mm	Maximum stroke
<b>00180-SERIES</b>					
00180-85	180	46	8	36	100
00180-57	180	46	8,25	41	97
00180-67	170	46	8,5	45	91
00180-88	180	46	9	52	94
00180-90	230	46		12-14,3 Prog.	
<b>00181-SERIES</b>					
00181-09	200	46	8,5	35	110
00181-10	200	46	8,75	40	110
00181-11	210	46	9,25	45	110
<b>00281-SERIES</b>					
00281-11	125	46	7	30	74,3

## SPRINGS FOR ÖHLINS PRODUCTS

Part No	Length	Inner diam.	Wire diam.	Rate N/mm	Maximum stroke
00281-23	125	46	7,25	35	73,7
00281-12	125	46	7,5	40	72,4
<b>00480-SERIES</b>					
00480-01				15-24 Prog.	
<b>00596-SERIES</b>					
00596-08	270	57	11	48	151
00596-09	270	57	11	50	145
00596-10	270	57	11,25	52	147
00596-11	270	57	11,25	54	143
00596-12	270	57	11,5	56	140
00596-13	270	57	11,5	58	141
<b>00698-SERIES</b>					
00698-90	230	57	9	32	132
00698-01	230	57	9,5	34	133
00698-02	230	57	9,75	36	128
00698-03	230	57	9,75	38	132
00698-04	230	57	9,75	40	129
00698-05	230	57	10	42	131
00698-06	230	57	10	44	130
00698-07	230	57	10,25	46	129
00698-08	230	57	10,25	48	128
00698-09	230	57	10,5	50	126
00698-10	230	57	10,5	52	126
00698-11	230	57	10,5	54	121
00698-12	230	57	10,5	56	116
<b>05174-SERIES</b>					
005174-09				35	

## SPRINGS ÖHLINS SHOCKS

Part No Colour	Length	Inner diameter	Outer diameter	Wire diameter	Rate N/mm	Maximum Stroke
06310-01Y	225	61-65	80,5-84,5	9,75	34	140
06310-02Y	230	61-65	81-85	10	36	140
06310-03Y	230	61-65	81-85	10,25	38	140
06310-04Y	235	61-65	81,5-85,5	10,5	40	140
06310-05Y	235	61-65	82-86	10,5	42	140
06310-06Y	240	61-65	82,5-86,5	10,75	44	140
06310-07Y	235	61-65	82,5-86,5	10,75	46	140
06310-08Y	240	61-65	83-87	11	48	140
06310-09Y	245	61-65	83-87	11,25	50	140
06310-10Y	245	61-65	83,5-87,5	11,25	52	140
06310-11Y	250	61-65	84-88	11,5	54	140

# SPRINGS ÖHLINS SHOCKS

Part No Colour	Length	Inner diameter	Outer diameter	Wire diameter	Rate N/mm	Maximum Stroke
06310-12Y	250	61-65	84-88	11,5	56	140
06310-13Y	255	61-65	84,5-88,5	11,75	58	140
06310-14Y	260	61-65	85-89	12	60	140
06310-15Y	255	61-65	85-89	12	62	140
06310-16Y	265	61-65	85,5-89,5	12,25	64	140
06320-08Y	205	61-65	81,5-85,5	10,5	48	120
06320-09Y	200	61-65	82-86	10,5	50	120
06320-10Y	205	61-65	82,5-86,5	10,75	52	120
06320-11Y	205	61-65	82,5-86,5	10,75	54	120
06320-12Y	215	61-65	82,5-86,5	10,75	56	120
06320-13Y	215	61-65	83-87	11,25	58	120
06320-14Y	215	61-65	83,5-87,5	11,25	60	120
06320-15Y	210	61-65	83,5-87,5	11,25	62	120
06320-16Y	215	61-65	84-88	11,5	64	120
06320-17Y	215	61-65	84,5-88,5	11,5	66	120
06320-18Y	220	61-65	84,5-88,5	11,75	68	120
06320-19Y	225	61-65	85-89	12	70	120
06320-20Y	225	61-65	85-89	12	72	120
06320-21Y	230	61-65	85,5-89,5	12,25	75	120
06320-24Y	235	61-65	86-90	12,5	80	120
06320-26Y	235	61-65	86,5-90,5	12,75	85	120
06320-29Y	240	61-65	87-91	13	90	120
06320-31Y	245	61-65	87,5-91,5	13,25	95	120
06320-39Y	260	61-65	89-93	14	110	120
06410-06Y	265	66	88	11	44	150
06410-07Y	265	66	88,5	11,25	46	150
06410-10Y	265	66	89	11,5	52	150
06410-13Y	265	66	90	12	58	150
06410-14Y	265	66	90,5	12,25	60	150
06410-15Y	265	66	91	12,5	62	150
06411-07Y	255	63,5-65,5	85,5-87,5	11	46	145
06411-08Y	255	63,5-65,5	86-88	11,25	48	145
06411-09Y	255	63,5-65,5	86-88	11,25	50	145
06411-10Y	255	63,5-65,5	86,5-88,5	11,5	52	145
06411-11Y	255	63,5-65,5	86,5-88,5	11,5	54	140
06411-12Y	255	63,5-65,5	87-89	11,75	56	140
06411-13Y	255	63,5-65,5	87-89	11,75	58	140
06411-14Y	255	63,5-65,5	87,5-89,5	12	60	140
06411-15Y	255	63,5-65,5	87,5-89,5	12	62	140
06420-13Y	250	63	86	11,5	58	120
06420-14Y	250	63	86	11,5	60	120
06420-15Y	250	63	86,5	11,75	62	120
06420-16Y	250	63	86,5	11,75	64	120
06420-17Y	250	63	87	12	66	120
06420-18Y	250	63	87	12	68	120
06420-19Y	250	63	87	12	70	120
06420-21Y	250	63	87,5	12,25	75	120
06420-24Y	250	63	88	12,5	80	120
06420-26Y	250	63	88,5	12,75	85	120





## VINTAGE MX

Model	Year	Part No	P. Family	Type Code	P/C	Length	Spring	Notes
<b>MX &amp; ENDURO</b>								
Classic MX		CC 606	STX36 Twin	S36D	13	360	00180-90	
Classic MX		CC 607	STX36 Twin	S36D	13	340	00180-90	
Classic MX		CC 718	STX36 Twin	S36P	13	380.5	00480-01	

## UNIVERSAL FRONT END PRODUCTS

Model	Part No	P. Family	Type Code	P/C	Length	Spring	Notes
Front fork piston kit Ø20mm	03200-01	Accessories	Fork piston kit	See parts price list			Universal type
Front fork piston kit Ø25mm	03200-25	Accessories	Fork piston kit	See parts price list			Universal type
FGR 300 Superbike 750mm	FGR 300	FGR 300	FG 43 RR	125	750mm	04744-10	Springs -95,-05,-11, included in kit. Optional extension kit 22101-02.
FGR 300 Superbike 770mm	FGR 301	FGR 300	FG 43 RR	125	770mm	04744-10	Springs -95,-05,-11, included in kit
Universal Retro 43 Gold	FG 620	Universal Conventional 43	Retro 43	112	800	08701-95	w/o brake caliper/fender mounts, opt.spr. -85/-90/-10
Universal Retro 43 Black	FG 621	Universal Conventional 43	Retro 43	112	800	08701-95	w/o brake caliper/fender mounts, opt.spr. -85/-90/-10
Universal Black RWU	FG 433	Universal RWU43	FG RWU BLACK	112	800	08701-95	w/o brake caliper/fender mounts, opt.spr. -85/-90/-10
Universal Gold RWU	FG 434	Universal RWU43	FG RWU GOLD	112	800	08701-95	w/o brake caliper/fender mounts, opt.spr. -85/-90/-10
Universal Black USD	FG 424	Universal FG324/FG424	FG R/T BLACK	113	800	04744-85	w/o brake caliper/fender mounts
Universal Gold USD	FG 324	Universal FG324/FG424	FG R/T GOLD	113	800	04744-85	w/o brake caliper/fender mounts
Universal Front fork springs	08501-46	Accessories		300	274		od 19,2 mm
Universal Front fork springs	08502-46	Accessories		300	316		od 18,4 mm

## UNIVERSAL STEERING DAMPERS

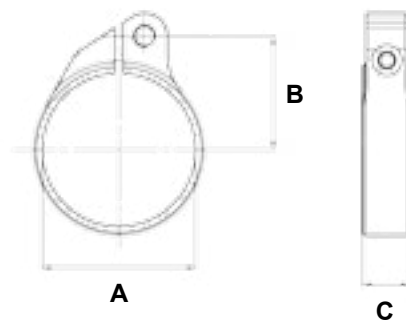
Model	Part No	P. Family	P/C	Stroke	Mounting Length	Notes
<b>ROAD &amp; TRACK</b>						
Universal	SD 000	Steering damper	40	63	36,5/223,5	
Universal	SD 001	Steering damper	40	68	34,5/231,5	
Universal	SD 002	Steering damper	40	90	34,5/275,5	
Universal	SD 003	Steering damper	40	120	34,5/335,5	
Universal	SD 004	Steering damper	42	140	34,5/375,5	
Universal	SD 005	Steering damper	42	150	36,5/397,5	

See page 47 for Universal clamps.

## FORKLEG CLAMPS FOR STEERING DAMPERS

Clamp Dimension		
Part No	Forkleg Dimension	AxBxC
02235-01	Ø 38mm	38x32x16,5
02235-02	Ø 39mm	39x32,5x16,5
02235-03	Ø 40mm	40x33x16,5
02235-04	Ø 41mm	41x33,5x16,5
02235-05	Ø 42mm	42x34x16,5
02235-07	Ø 44mm	44x35x16,5
02235-08	Ø 45mm	45x35,5x16,5
02235-09	Ø 46mm	46x36x16,5
02235-14	Ø 53mm	53x39,5x16,5
02235-15	Ø 53,5mm	53,5x39,75x16,5
02235-16	Ø 54mm	54x40x16,5
02235-17	Ø 55mm	55x40,5x16,5
02235-50	Ø 53mm	53x64x16,5

See page 47 for Universal steering dampers.





## RACE UPGRADES

### Part No

21740-03	Kawasaki ZX10R 2013-2016 Race SCU OEM SD
22100-01	Honda CBR 1000RR SP 2014-2016 (Öhlins OEM)
22100-02	Yamaha R1M 2015-2017 (Öhlins OEM)
22101-02	Extension kit FGR300 Superbike Fork 750mm+ 20mm



## R&T STEERING DAMPER RESERVOIR PISTON KIT

This kit is being used by racing teams in Moto GP, WSB and AMA. The kit is a big improvement when the steering damper is used in extreme racing conditions

### Part No

02280-01	To update older types of dampers with rubber reservoir.
----------	---



## MACHINED COMP. ADJUSTER KNOBS

### Part No

### Description

03253-01	Clear anodised
03253-02	Gold anodised

For the new generation of twin shocks and replacement for 00820-02 and 00820-03



## MACHINED PRELOAD ADJUSTER KNOBS

### MACHINED ADJUSTMENT KNOBS FOR HOSE TYPE

03617-01	Clear anodised
03617-03	Blue anodised



## PRELOAD ADJUSTER

### Part No

### Description Price

#### HYDRAULIC

#### INTEGRATED TYPE S46 SHOCK ABSORBERS

03645-01	2:1 Left	PC 2
03646-01	2:1 Right	PC 2

#### INTEGRATED TYPE T36 SHOCK ABSORBERS

21681-01	2:1 Left	PC1
21681-02	2:1 Right	PC1





## SHOCK ABSORBER FLUIDS

Part No	Description	Viscosity cSt at 40° C	Contains	Application
00105-01	Shock absorber fluid	28,0	1 litre	For R&T shocks.
00105-04	Shock absorber fluid	28,0	4 litre	For R&T shocks.
01304-01	High demand shock fluid	11,0	1 litre	For Car & Motorcycle offroad and MX & Enduro steering dampers.
01304-04	High demand shock fluid	11,0	4 litre	For Car & Motorcycle offroad and MX & Enduro steering dampers.
01309-01	Shock absorber fluid	19,0	1 litre	For R&T shocks and R&T steering dampers.
01309-04	Shock absorber fluid	19,0	4 litre	For R&T shocks and R&T steering dampers.

## FRONT FORK FLUIDS

Part No	Description	Viscosity cSt at 40° C	Contains	Application
01330-01	High performance FF fluid #5	20,04	1 litre	For MX cartridge forks.
01330-04	High performance FF fluid #5	20,04	4 litre	For MX cartridge forks.
01314-01	High performance FF fluid #10	40,0	1 litre	For cartridge forks.
01316-01	High performance FF fluid #20	98,0	1 litre	For non cartridge forks
01309-01	Front fork fluid	19,0	1 litre	For Öhlins R&T and MX forks.
01309-04	Front fork fluid	19,0	4 litre	For Öhlins R&T and MX forks.

## GREASE

Part No	Description	Contains	Application
00146-01	Öhlins red grease	100 gram	Multi purpose grease
00146-02	Öhlins red grease	400 gram	Multi purpose grease
00159-01	Öhlins grease	400 gram	Multi purpose grease
00159-02	Öhlins grease	100 gram	Multi purpose grease





**Öhlins DTC** Gottlieb-Daimler-Straße 25, 53520 Meuspath, Germany  
Phone: +49 2691 93 77 80 Mail: [info.odtc@ohlins.com](mailto:info.odtc@ohlins.com) Web: [www.ohlins.eu](http://www.ohlins.eu)